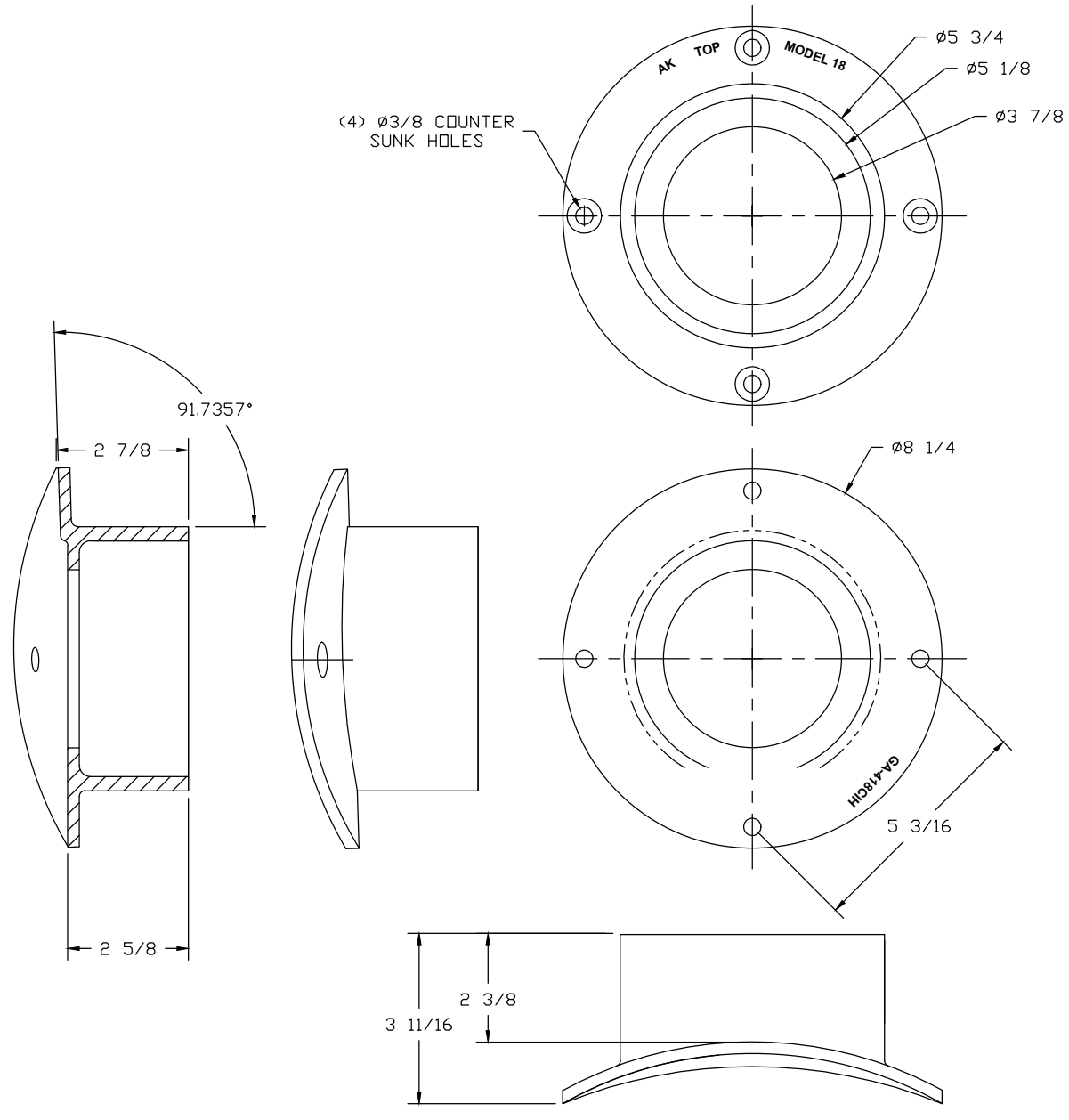


PART/PRINT NO.
AKR50775

PART DESCRIPTION
CAST IRON HUB 4" CURVED (18" DIAMETER BASIN)

REVISION
000

DATE
11/11/16



NOTE:

* SANDBLAST / CLEAN
PREP FOR COATING

* COAT 1.5-3 MIL. OF COATING

DRAWN
A.HARTUNG

MATERIAL
CAST IRON

TOLERANCE
+/- .025 UNLESS SPECIFIED OTHERWISE

SIGNATURE