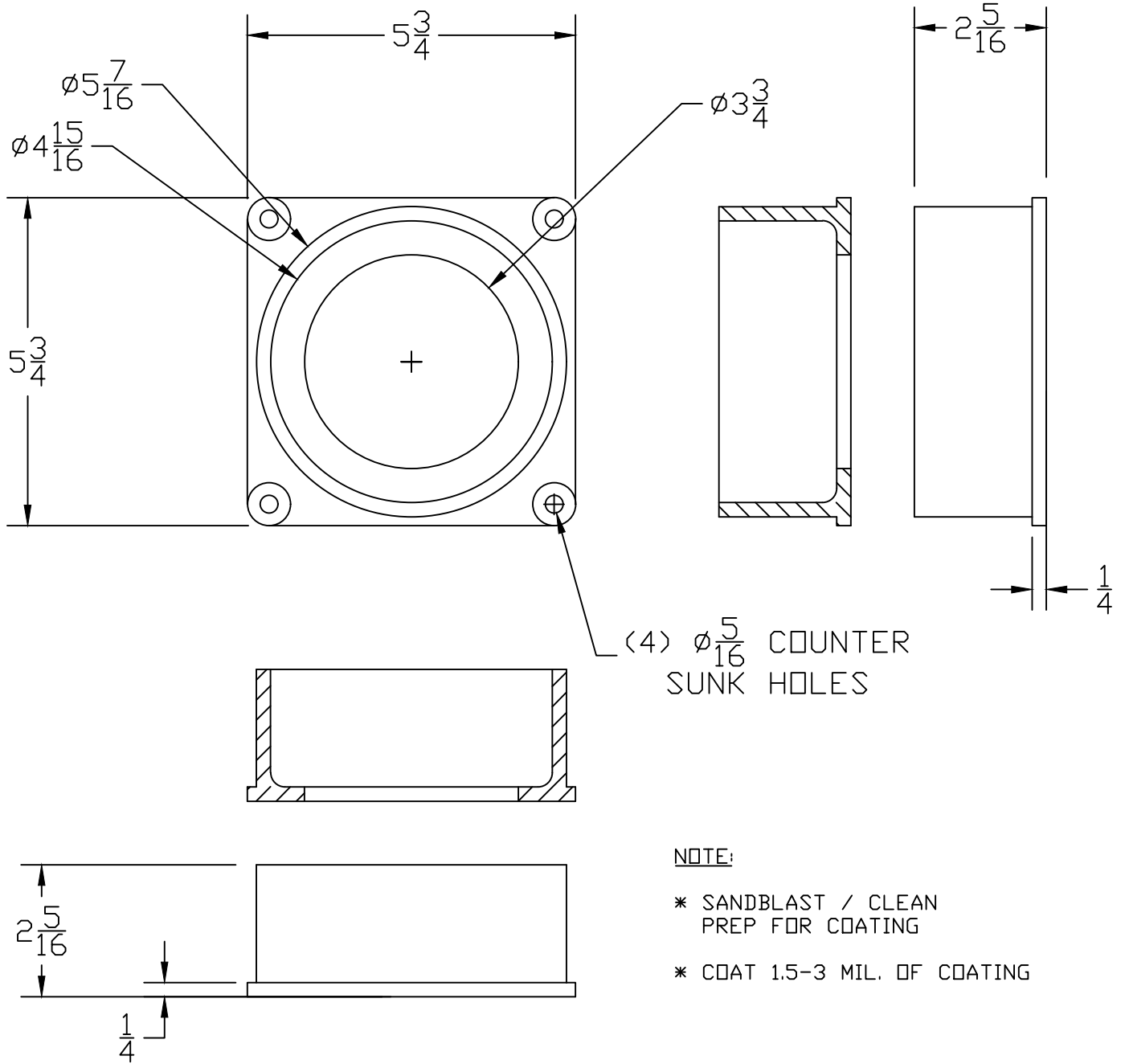


PART/PRINT NO.
AKR50745

PART DESCRIPTION
4" FLAT BACK INLET HUB

REVISION
001

DATE
03/02/2022



DRAWN
B.SNYDER

MATERIAL
CAST IRON

TOLERANCE
+/- .025 UNLESS SPECIFIED OTHERWISE

SIGNATURE