

NOTE: MEASUREMENTS OF BASINS ARE ALL I.D.,
 IF NOT OTHERWISE SPECIFIED
 ***BACKFILL INSTRUCTIONS TO BE FOLLOWED
 FOR AK IND. TO WARRANTY BASIN***

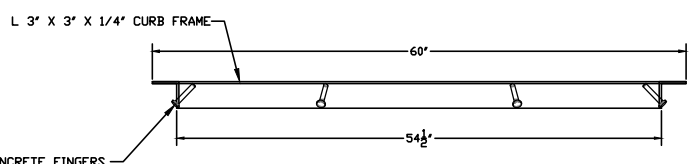
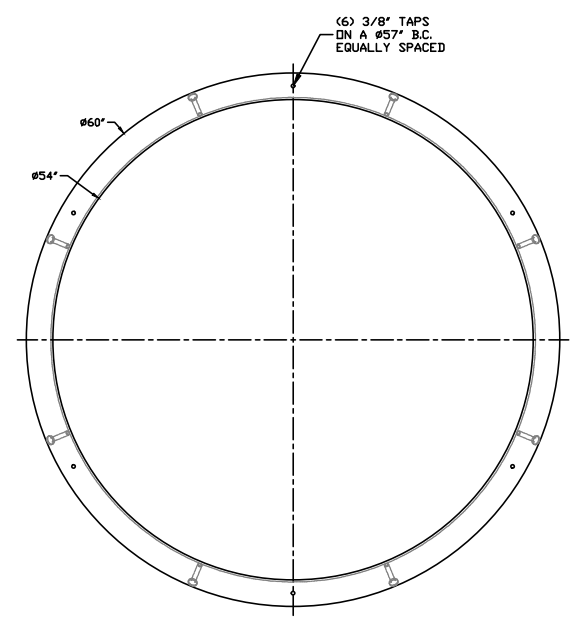
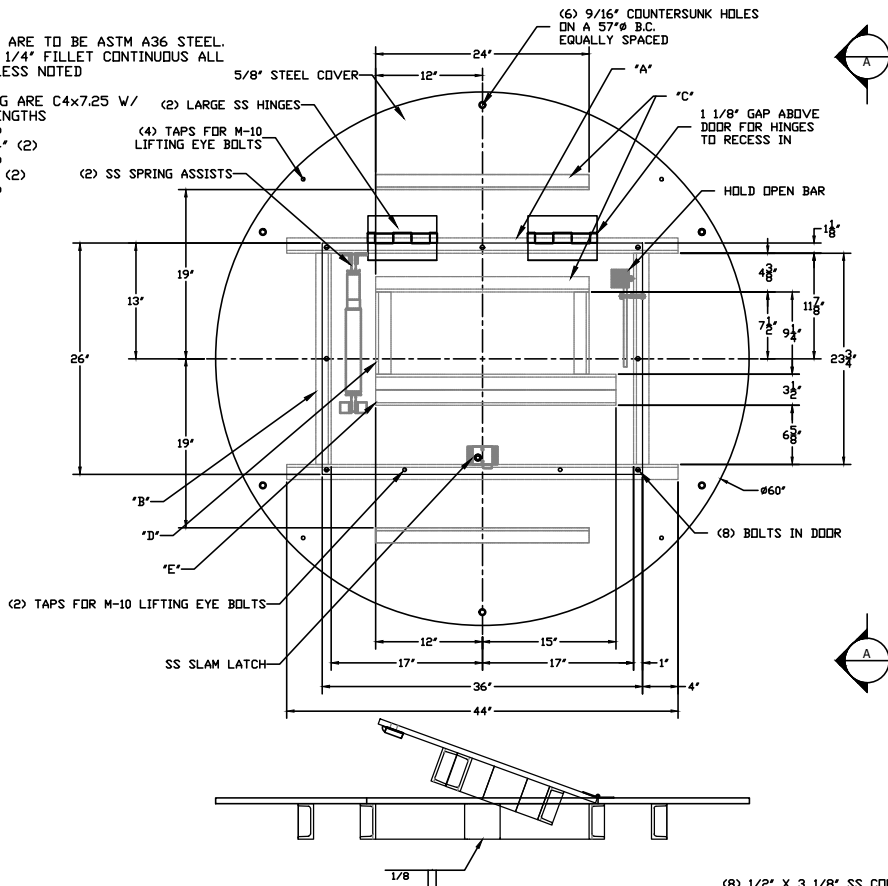
COVER AND CURB FRAME TO BE GALVANIZED

UNIT WT. - 800 lbs.

NOTES:

ALL PIECES ARE TO BE ASTM A36 STEEL.
 ALL WELDS 1/4" FILLET CONTINUOUS ALL
 AROUND UNLESS NOTED

ALL BRACING ARE C4x7.25 W/
 VARYING LENGTHS
 A: 44" (2)
 B: 23 3/4" (2)
 C: 24" (3)
 D: 9 1/4" (2)
 E: 27" (2)




VIEW A-A

TO CUSTOMER:
 EXAMINE THIS DRAWING CAREFULLY. VERIFY ALL DIMENSIONS, LOCATIONS, AND ELEVATIONS FOR ACCURACY. SIGN AND DATE AT LINE. ANY MODIFICATIONS OR CHANGES TO THIS DRAWING OR FINISHED PRODUCT, AFTER IT HAS BEEN SIGNED, MAY RESULT IN ADDITIONAL CHARGES AND SHIPPING DELAYS. NO JOB WILL BE STARTED UNTIL CONFIRMATION THROUGH SIGNATURE.

(REQUESTED SIGNATURE & DATE PER ABOVE)

CONFIRMATION THROUGH SIGNATURE RELEASES ORDER FOR PRODUCTION

DRAWN FOR: _____	PO# ---	DISCONNECTS: ---	SHEET 1 OF 1	Revision 0
	QUOTE # ---	PUMPS: ---	"THE BEST AROUND UNDERGROUND"  PH: (574)-936-6022 FX: (574)-936-5811 WWW.AKINDUSTRIES.COM	
JOB REFERENCE / Notes: 48" HDC H-20	BASIN DESCRIPTION: ---	DRAWN BY: A.HARTUNG DATE: 2/13/20		
	COVER DESCRIPTION: 5/8" GALV. STEEL H-20 W/ CURB FRAME			