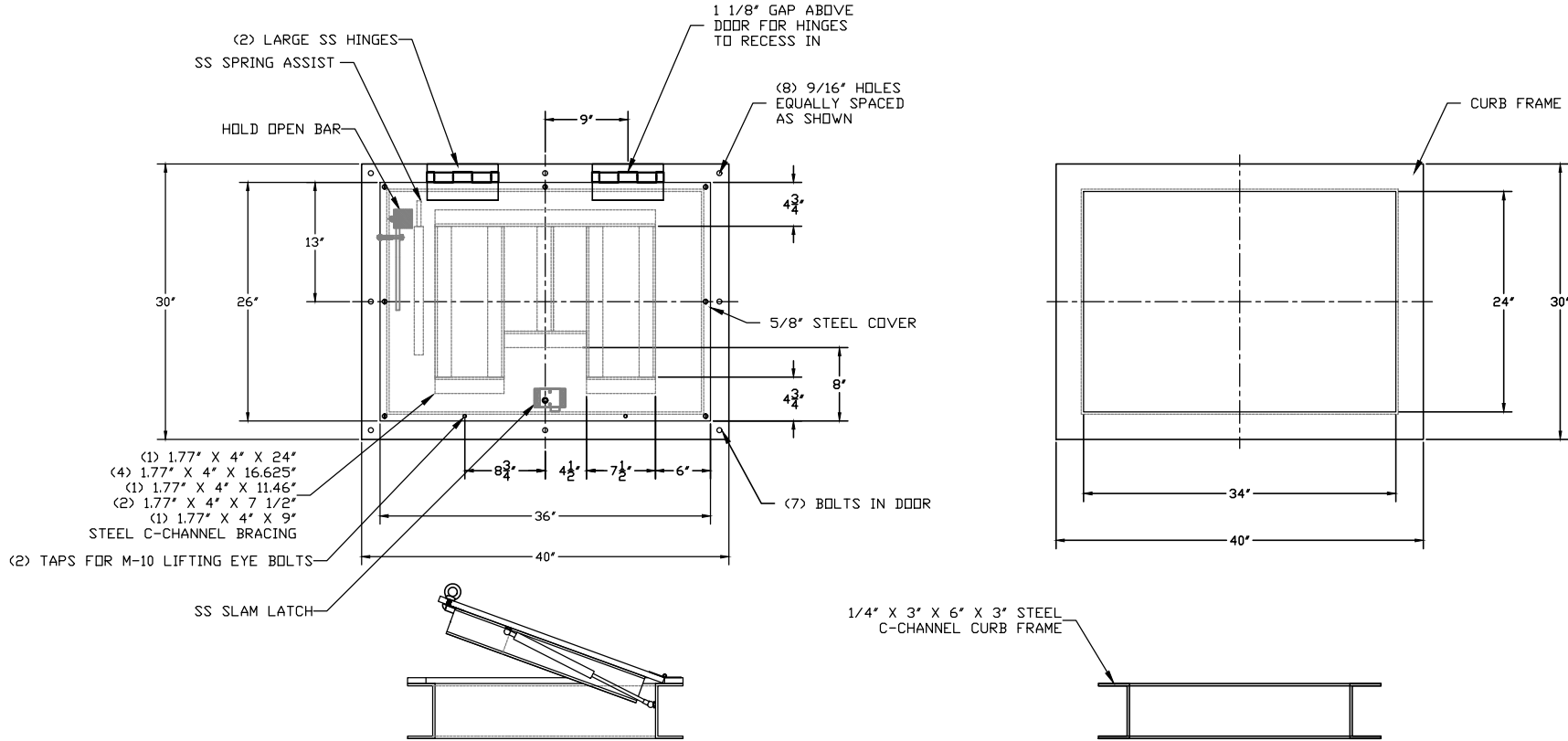


NOTE: MEASUREMENTS OF BASINS ARE ALL I.D.,
 IF NOT OTHERWISE SPECIFIED
 ***BACKFILL INSTRUCTIONS TO BE FOLLOWED
 FOR AK IND. TO WARRANTY BASIN***

COVER AND CURB FRAME TO BE GALVANIZED

PART# LB-S26X36-H20




TO CUSTOMER:

EXAMINE THIS DRAWING CAREFULLY. VERIFY ALL DIMENSIONS, LOCATIONS, AND ELEVATIONS FOR ACCURACY. SIGN AND DATE AT LINE. ANY MODIFICATIONS OR CHANGES TO THIS DRAWING OR FINISHED PRODUCT, AFTER IT HAS BEEN SIGNED, MAY RESULT IN ADDITIONAL CHARGES AND SHIPPING DELAYS. NO JOB WILL BE STARTED UNTIL CONFIRMATION THROUGH SIGNATURE.

(REQUESTED SIGNATURE & DATE PER ABOVE)

CONFIRMATION THROUGH SIGNATURE RELEASES ORDER FOR PRODUCTION

DRAWN FOR: _____		PO# --- QUOTE # ---	DISCONNECTS: --- PUMPS: ---	SHEET 1 OF 1	Revision 0
JOB REFERENCE / Notes: 48" H-20 HATCH 26 X 36		BASIN DESCRIPTION: ---	DRAWN BY: A.HARTUNG B.SNYDER DATE: 5/17/21	<p>"THE BEST AROUND UNDERGROUND"</p>  <p>PH: (574)-936-6022 FX: (574)-936-5811 WWW.AKINDUSTRIES.COM</p>	
		COVER DESCRIPTION: 5/8" GALV. STEEL H-20 HATCH W/ CURB FRAME	CHECKED BY: _____ DATE CHECKED: _____		