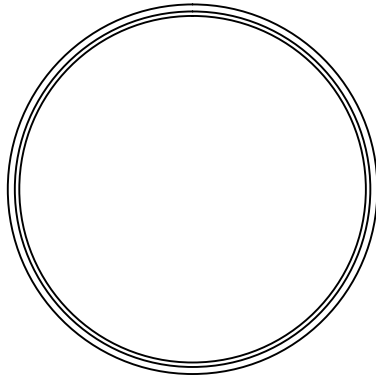


PART/PRINT NO.
LA-400DISCH

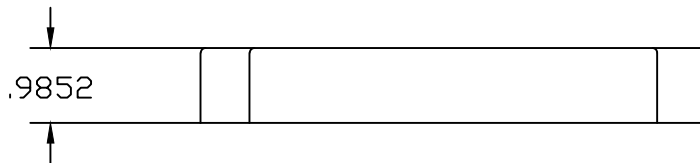
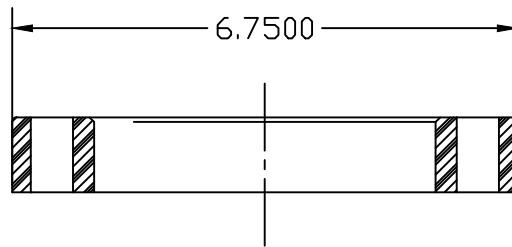
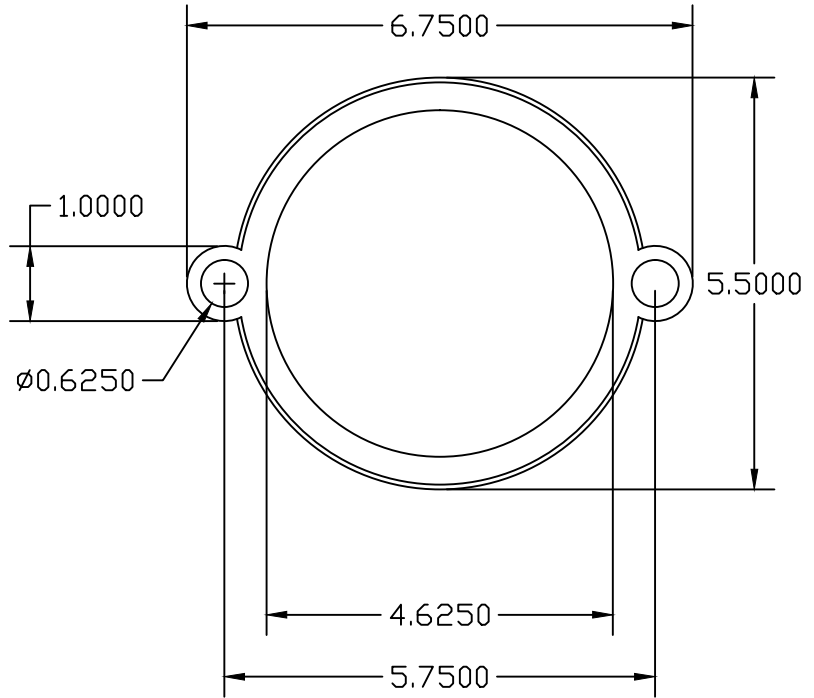
PART DESCRIPTION
DISCHARGE FLANGE 4"

REVISION
001

DATE
5/2/03



4" O-RING



4" DISCHARGE FLANGE

DRAWN
M.OLIVAREZ

MATERIAL

TOLERANCE
+/- .025 UNLESS SPECIFIED OTHERWISE

SIGNATURE