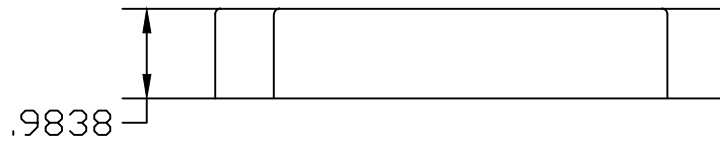
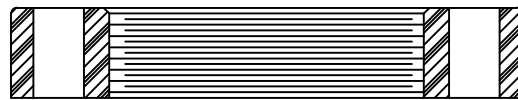
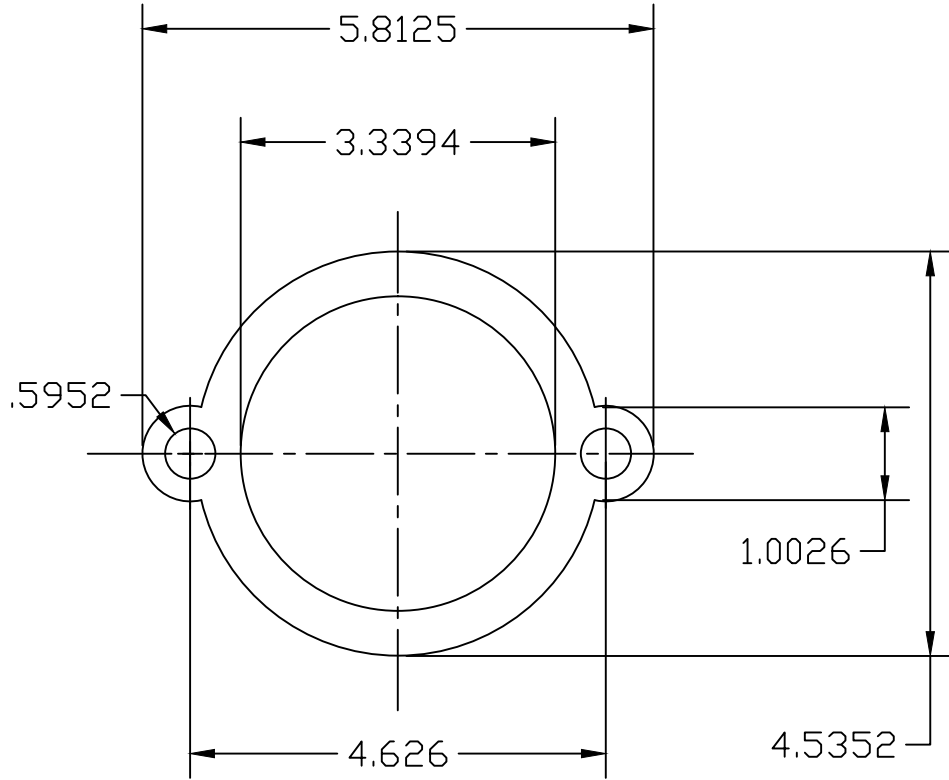


PART/PRINT NO.
LA-300VENT

PART DESCRIPTION
VENT FLANGE 3"

REVISION
001

DATE
3/6/03



DRAWN
M.Olivarez

MATERIAL

TOLERANCE
+/- .025 UNLESS SPECIFIED OTHERWISE

SIGNATURE