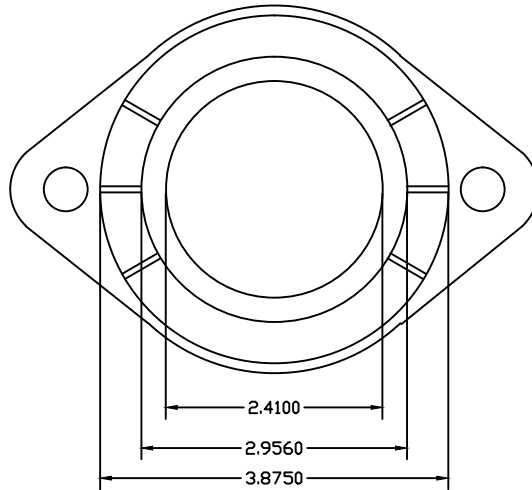
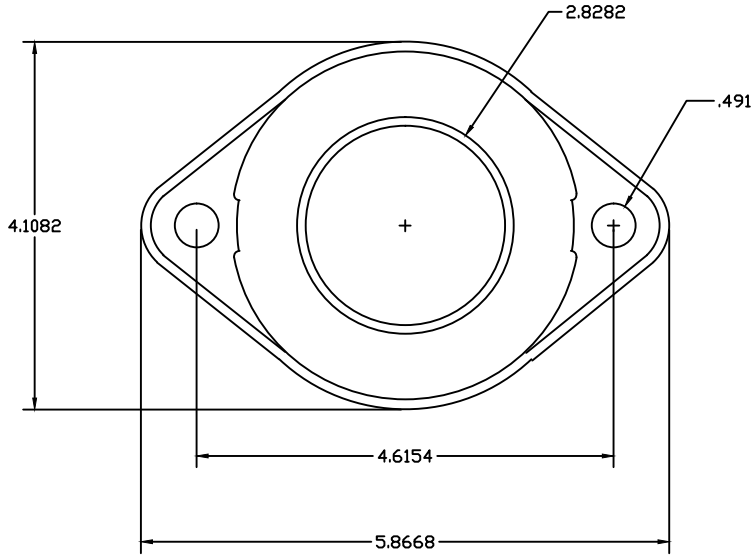
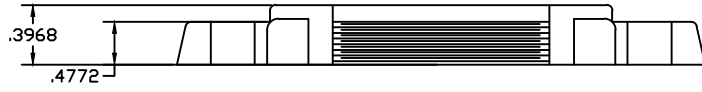


PART/PRINT NO.
LA-200VENT

PART DESCRIPTION
VENT FLANGE 2"

REVISION
001

DATE
3/6/03



DRAWN
M.OLIVAREZ

MATERIAL
PVC

TOLERANCE
+/- .025 UNLESS SPECIFIED OTHERWISE

SIGNATURE