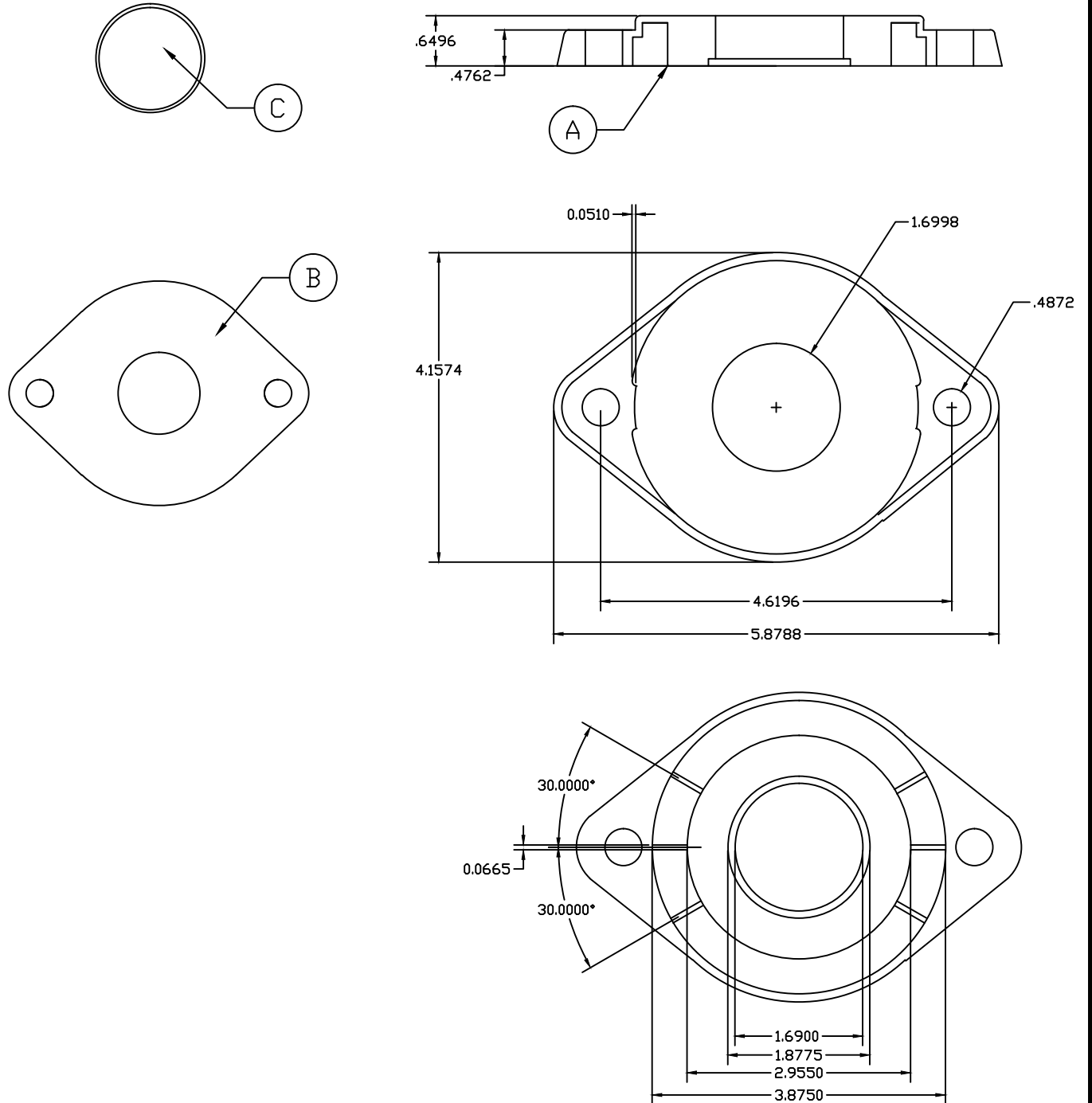


PART/PRINT NO.  
LA-125DISCH

PART DESCRIPTION  
DISCHARGE FLANGE 1.25"

REVISION  
003

DATE  
05/02/14



B.O.M		
ITEM#	DESCRIPTION	QTY
A	FITTING, 1-1/4 DISCHARGE FLANGE	1
B	FITTING, 1-1/4 FLAT PLATE	1
C	FITTING, 1-1/4-1-1/2 D-RING	1

DRAWN  
A.DAVIS

MATERIAL

TOLERANCE  
+/- .025 UNLESS SPECIFIED OTHERWISE

SIGNATURE