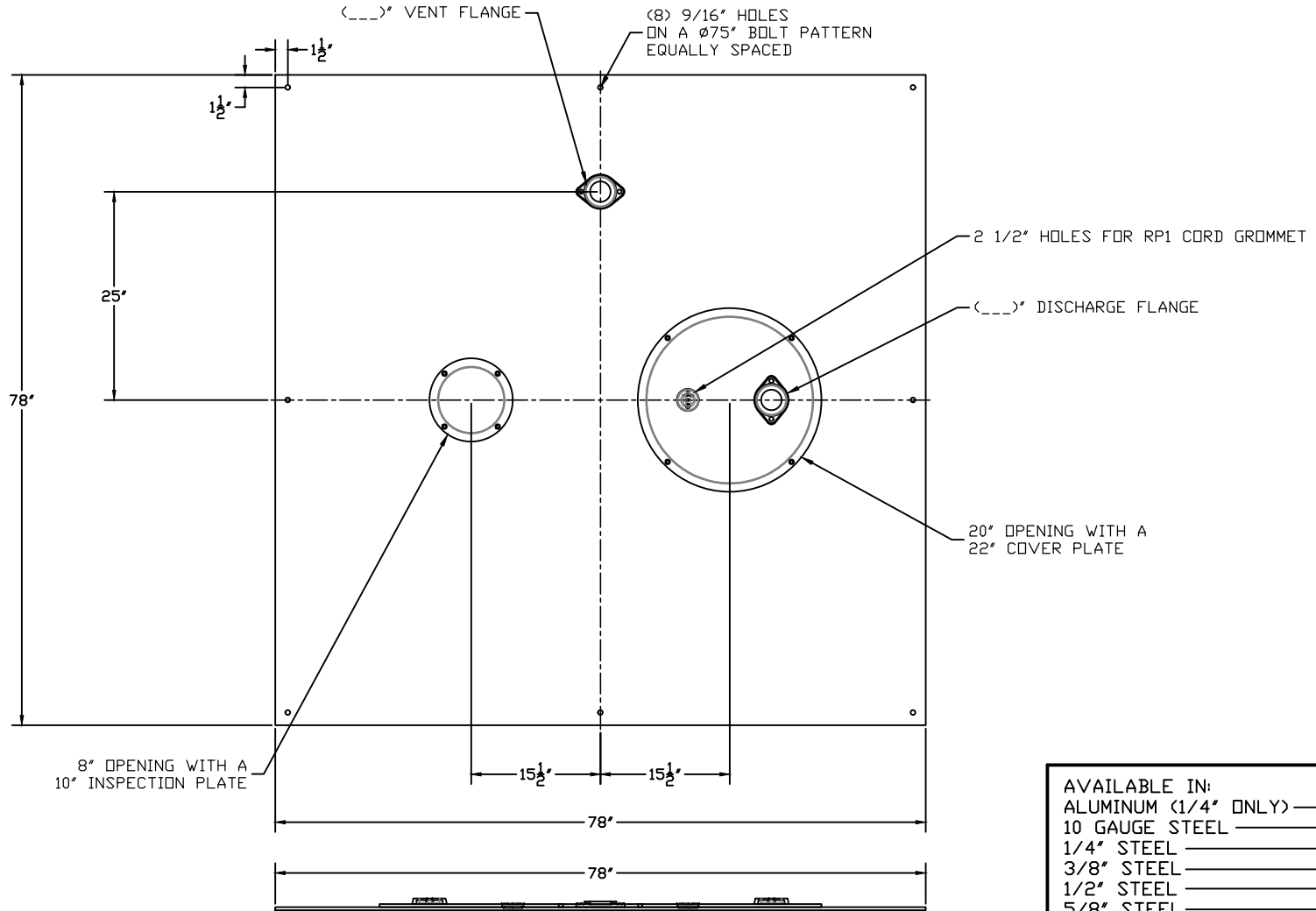


PART/PRINT NO.
LB-7201-01

PART DESCRIPTION
SQUARE SIMPLEX COVER

DATE
3/24/20

THIS DRAWING IS THE SOLE PROPERTY OF AK INDUSTRIES INC.



AVAILABLE IN:	
ALUMINUM (1/4" ONLY)	<input type="checkbox"/>
10 GAUGE STEEL	<input type="checkbox"/>
1/4" STEEL	<input type="checkbox"/>
3/8" STEEL	<input type="checkbox"/>
1/2" STEEL	<input type="checkbox"/>
5/8" STEEL	<input type="checkbox"/>
3/4" STEEL	<input type="checkbox"/>
1" STEEL	<input type="checkbox"/>
GALVANIZED (STEEL ONLY)	<input type="checkbox"/>
EPOXY COATED (STEEL ONLY)	<input type="checkbox"/>



AK INDUSTRIES INC.
2055 PIDCO DR.
PLYMOUTH, IN. 46563
PHONE: (574) 936-6022

DRAWN BY:
A. HARTUNG

SCALE:
NOT TO SCALE

REVISION #:

SIGNATURE: