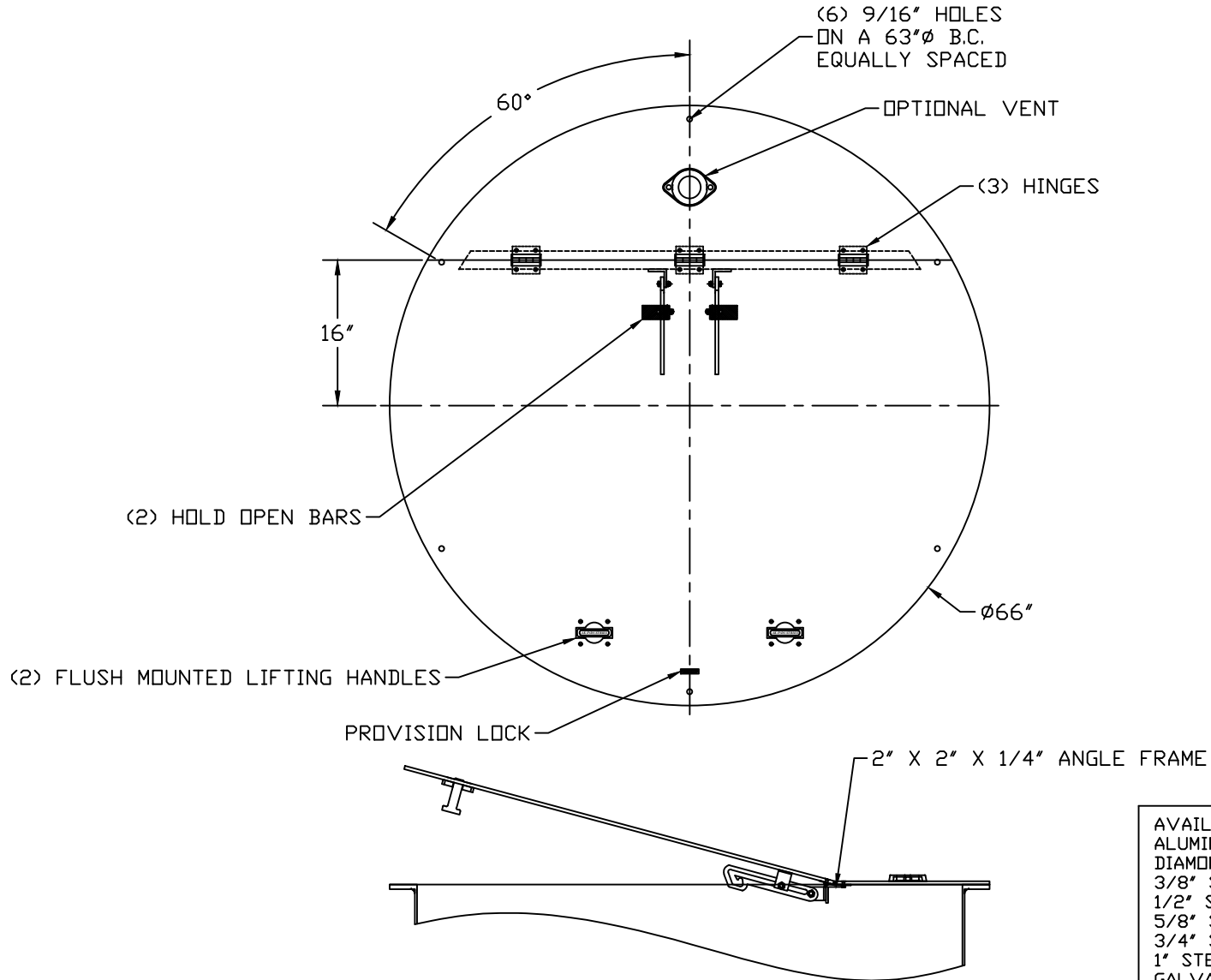


PART/PRINT NO.
LB-60HDC-FM

PART DESCRIPTION
ROUND FROG MOUTH COVER

DATE
06/20/16

THIS DRAWING IS THE SOLE PROPERTY OF AK INDUSTRIES INC.



| | |
|---------------------------|--------------------------|
| AVAILABLE IN: | |
| ALUMINUM (1/4" ONLY) | <input type="checkbox"/> |
| DIAMOND PLATE | <input type="checkbox"/> |
| 3/8" STEEL | <input type="checkbox"/> |
| 1/2" STEEL | <input type="checkbox"/> |
| 5/8" STEEL | <input type="checkbox"/> |
| 3/4" STEEL | <input type="checkbox"/> |
| 1" STEEL | <input type="checkbox"/> |
| GALVANIZED (STEEL ONLY) | <input type="checkbox"/> |
| EPOXY COATED (STEEL ONLY) | <input type="checkbox"/> |



AK INDUSTRIES INC.
2055 PIDCO DR.
PLYMOUTH, IN. 46563
PHONE: (574) 936-6022

DRAWN BY:
A.HARTUNG

SCALE:
NOT TO SCALE

REVISION #:

SIGNATURE: