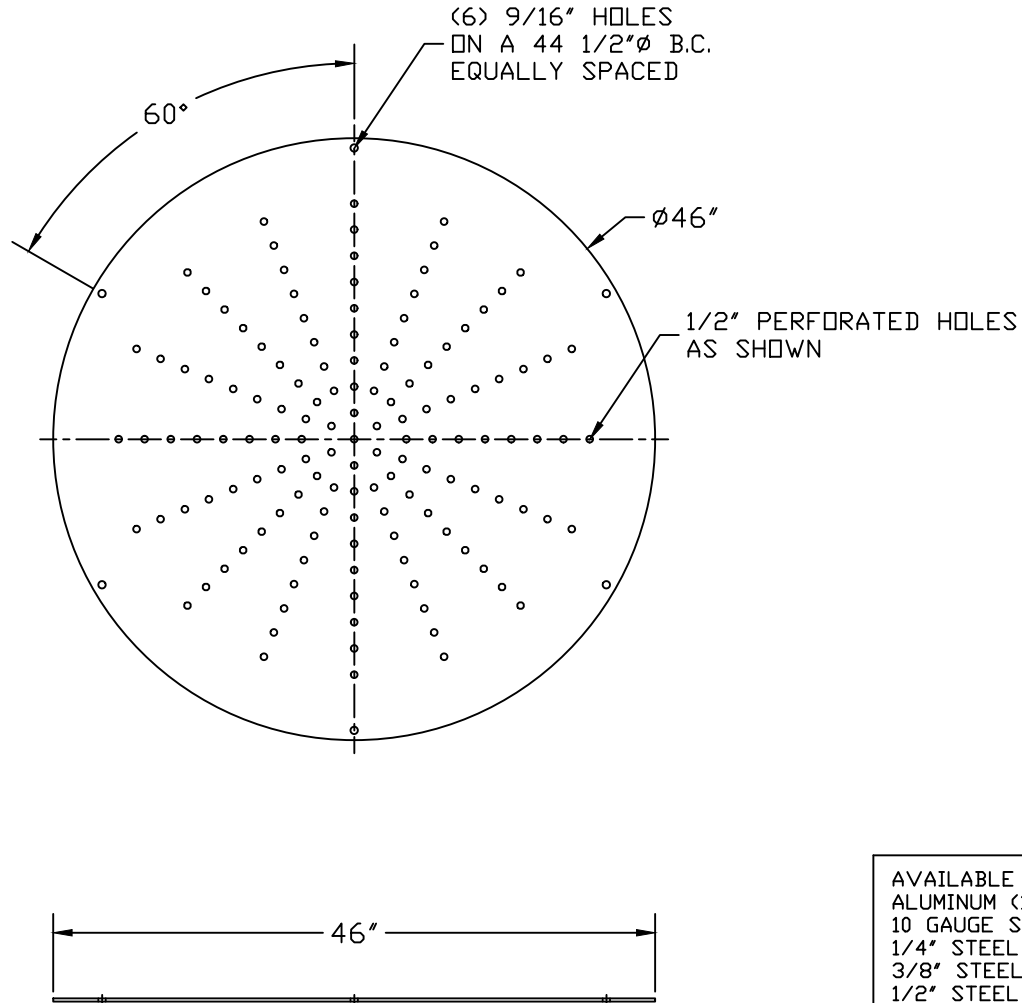


PART/PRINT NO.  
LB-4200 PERF

PART DESCRIPTION  
ROUND PERFORATED COVER

DATE  
06/17/16

THIS DRAWING IS THE SOLE PROPERTY OF AK INDUSTRIES, INC.



AVAILABLE IN:	
ALUMINUM (1/4" ONLY)	<input type="checkbox"/>
10 GAUGE STEEL	<input type="checkbox"/>
1/4" STEEL	<input type="checkbox"/>
3/8" STEEL	<input type="checkbox"/>
1/2" STEEL	<input type="checkbox"/>
5/8" STEEL	<input type="checkbox"/>
3/4" STEEL	<input type="checkbox"/>
1" STEEL	<input type="checkbox"/>
GALVANIZED (STEEL ONLY)	<input type="checkbox"/>
EPOXY COATED (STEEL ONLY)	<input type="checkbox"/>



AK INDUSTRIES INC.  
2055 PIDCO DR.  
PLYMOUTH, IN. 46563  
PHONE: (574) 936-6022

DRAWN BY:  
A.HARTUNG

SCALE:  
NOT TO SCALE

REVISION #:

SIGNATURE: