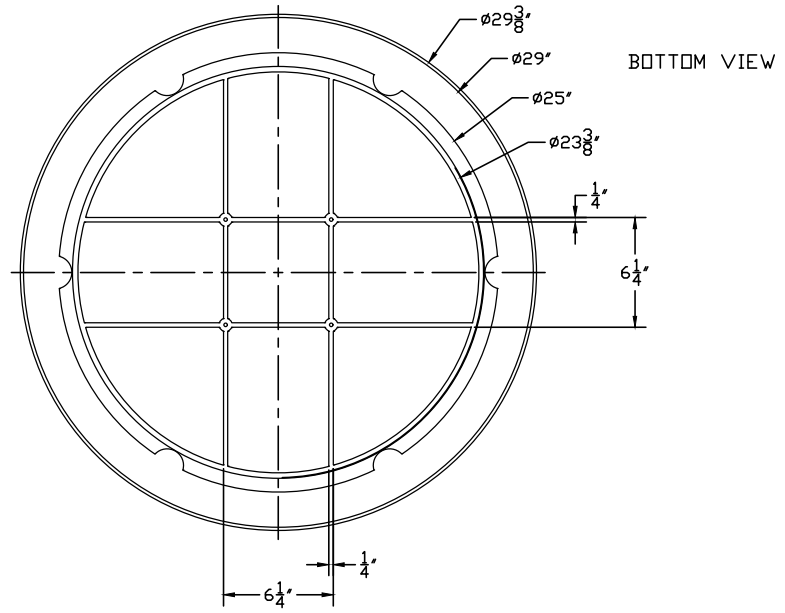
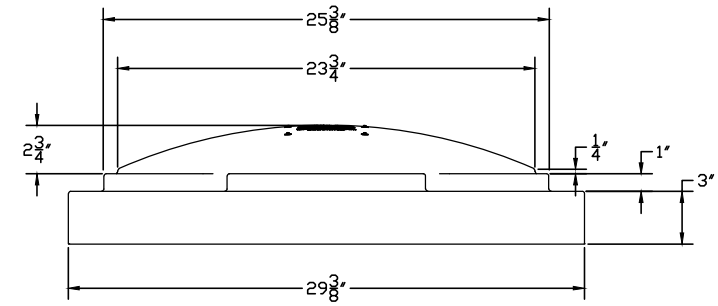
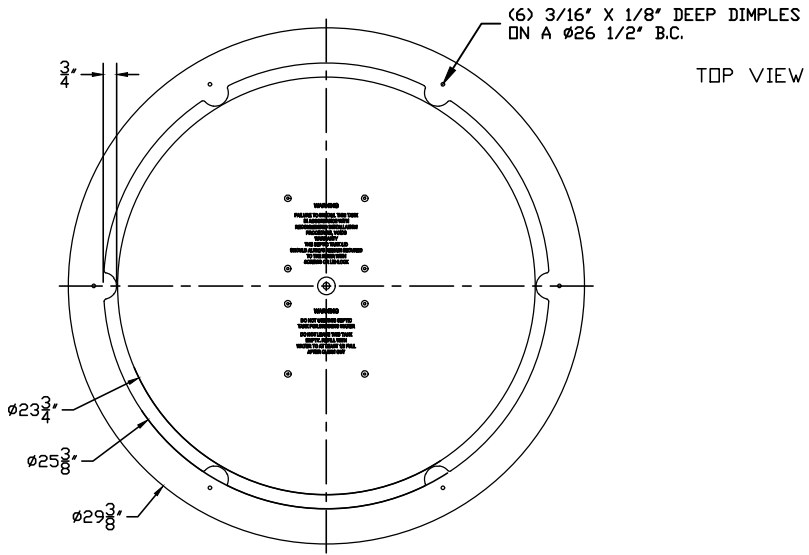



NOTE: MEASUREMENTS OF BASINS ARE ALL I.D.,
 IF NOT OTHERWISE SPECIFIED
 ***BACKFILL INSTRUCTIONS TO BE FOLLOWED
 FOR AK IND. TO WARRANTY BASIN***



TO CUSTOMER:
 EXAMINE THIS DRAWING CAREFULLY. VERIFY ALL DIMENSIONS, LOCATIONS, AND ELEVATIONS FOR ACCURACY. SIGN AND DATE AT LINE. ANY MODIFICATIONS OR CHANGES TO THIS DRAWING OR FINISHED PRODUCT, AFTER IT HAS BEEN SIGNED, MAY RESULT IN ADDITIONAL CHARGES AND SHIPPING DELAYS. NO JOB WILL BE STARTED UNTIL CONFIRMATION THROUGH SIGNATURE.

(REQUESTED SIGNATURE & DATE PER ABOVE)
 CONFIRMATION THROUGH SIGNATURE RELEASES ORDER FOR PRODUCTION

DRAWN FOR: ---		PO# ---	DISCONNECTS: ---	SHEET 1 OF 1	Revision 0
JOB REFERENCE / Notes: ---		QUOTE # ---	PUMPS: ---	"THE BEST AROUND UNDERGROUND"	
BASIN DESCRIPTION: ---		DRAWN BY: A.HARTUNG		DATE: 11/11/20	
COVER DESCRIPTION: 24" POLY DOMED COVER		CHECKED BY:		DATE CHECKED:	
				 PH: (574)-936-6022 FX: (574)-936-5811 WWW.AKINDUSTRIES.COM	