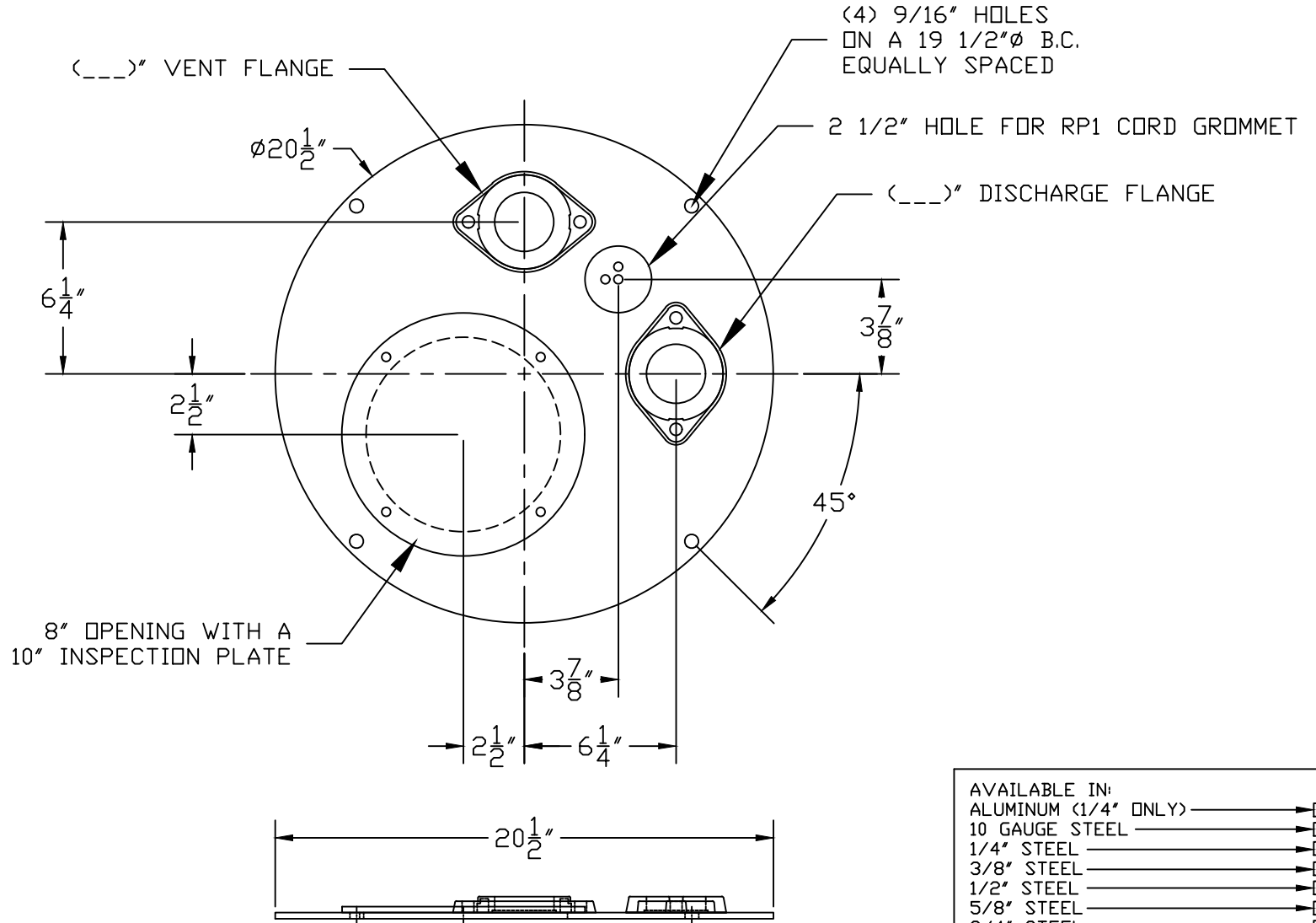


PART/PRINT NO.  
LB-1801-I

PART DESCRIPTION  
ROUND SIMPLEX COVER W/ INSPECTION PLATE

DATE  
06/16/16

THIS DRAWING IS THE SOLE PROPERTY OF AK INDUSTRIES INC.



- AVAILABLE IN:
- ALUMINUM (1/4" ONLY)
  - 10 GAUGE STEEL
  - 1/4" STEEL
  - 3/8" STEEL
  - 1/2" STEEL
  - 5/8" STEEL
  - 3/4" STEEL
  - 1" STEEL
  - GALVANIZED (STEEL ONLY)
  - EPOXY COATED (STEEL ONLY)



AK INDUSTRIES INC.  
2055 PIDCO DR.  
PLYMOUTH, IN. 46563  
PHONE: (574) 936-6022

DRAWN BY:  
A.HARTUNG

SCALE:  
NOT TO SCALE

REVISION #:

SIGNATURE: