

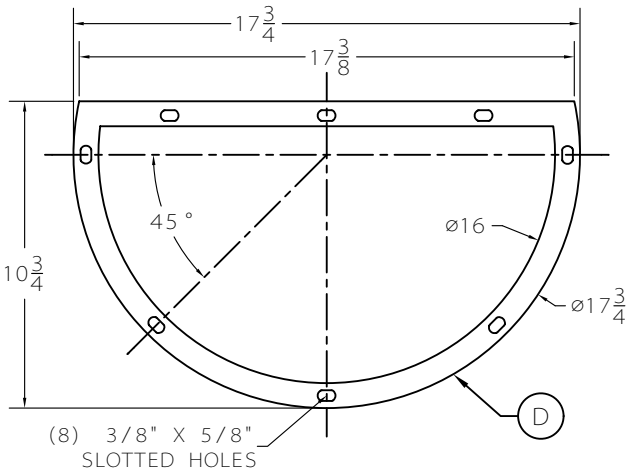
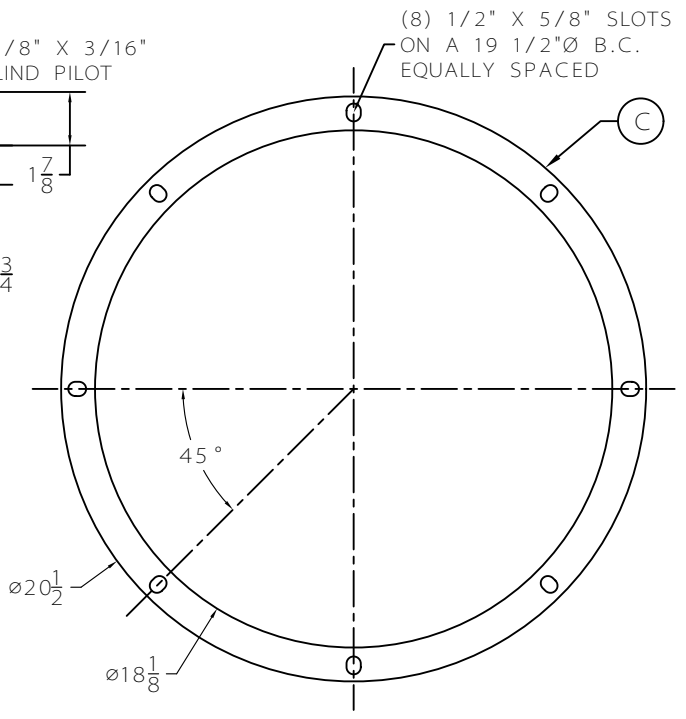
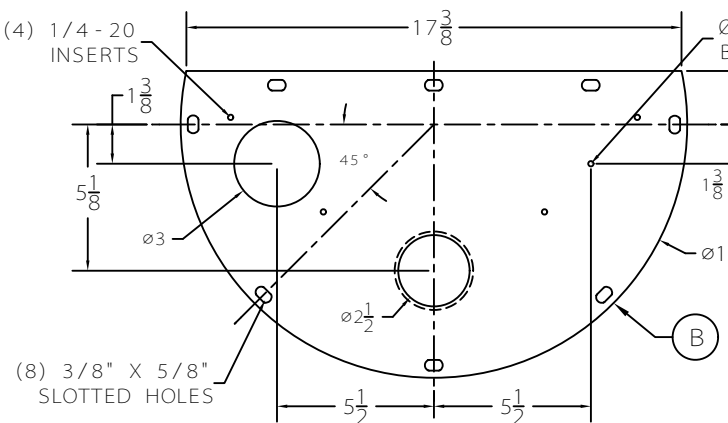
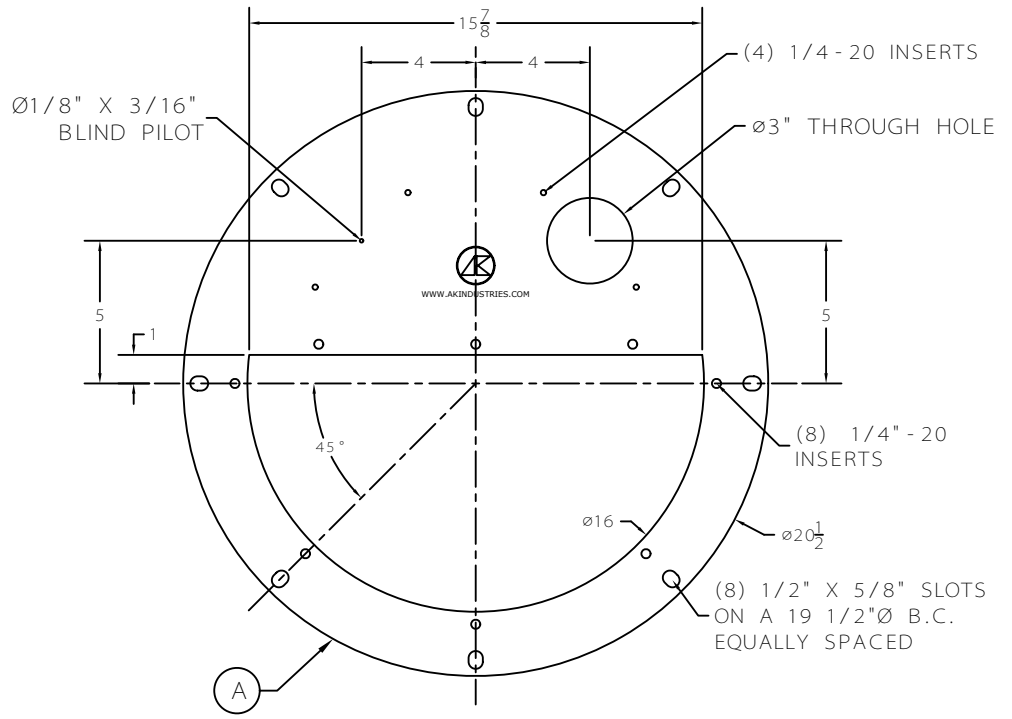
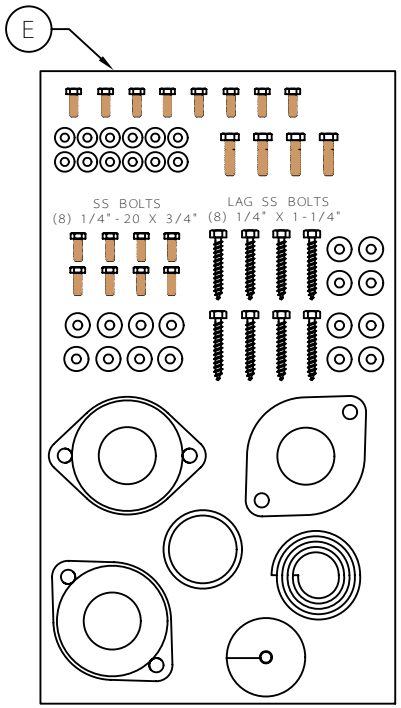
AK PART #: AKP80309

Description: SF 18" / 2 X 1.5 BOLT DN

Revision #: 000

Date: 02/03/17

THIS DRAWING IS THE SOLE PROPERTY OF AK INDUSTRIES INC.



B.O.M.			
ITEM#	P/N	DESCRIPTION	QTY.
A	AKR100165	COVER, 18" W/ ACCESS OPENING	1
B	AKR100170	COVER, CLEAR ACCESS PLATE	1
C	AKR100175	COVER, GASKET NEOPRENE .125 X 20.5	1
D	AKR100180	COVER, GASKET NEOPRENE .125 X 17.5	1
E	AKP09949	GASKET PACK, 18" SF CVR 2 X 1.5 BOLT DN	1

Notes: -- Approved by: Material: Structural Foam Scale: NTS Tolerances are +/- 0.250 Unless Specified Otherwise DRAWN BY: A.DAVIS