

PART/PRINT #:

PART DESCRIPTION:

SCALE:

REVISION:

DATE:

AKP40270

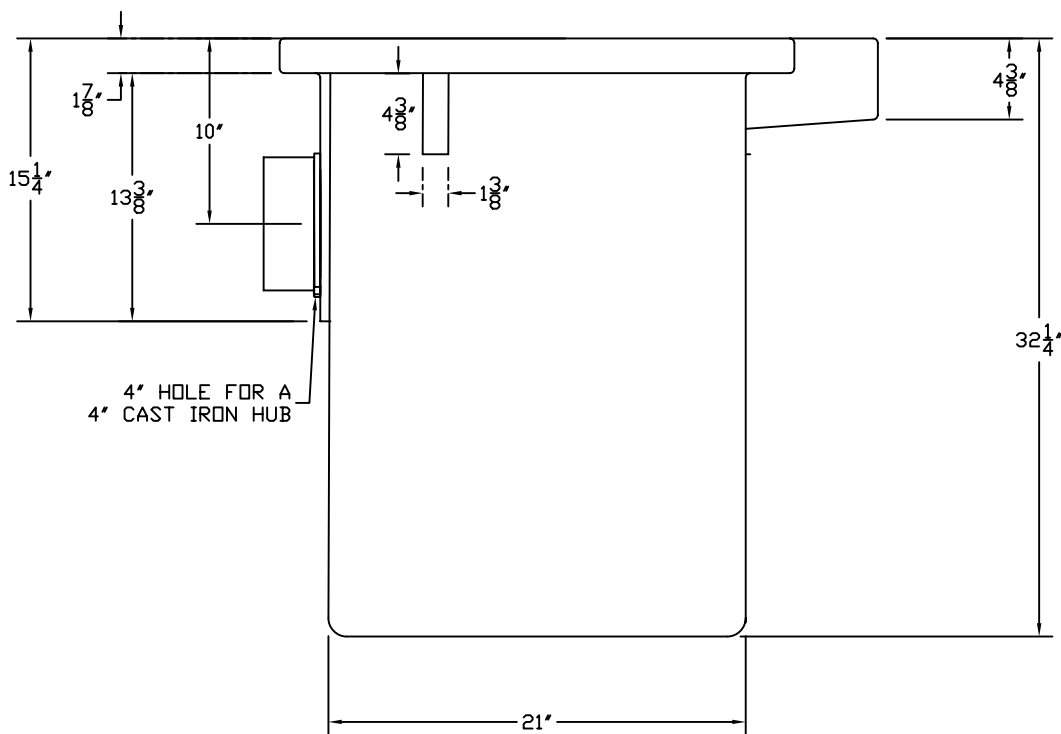
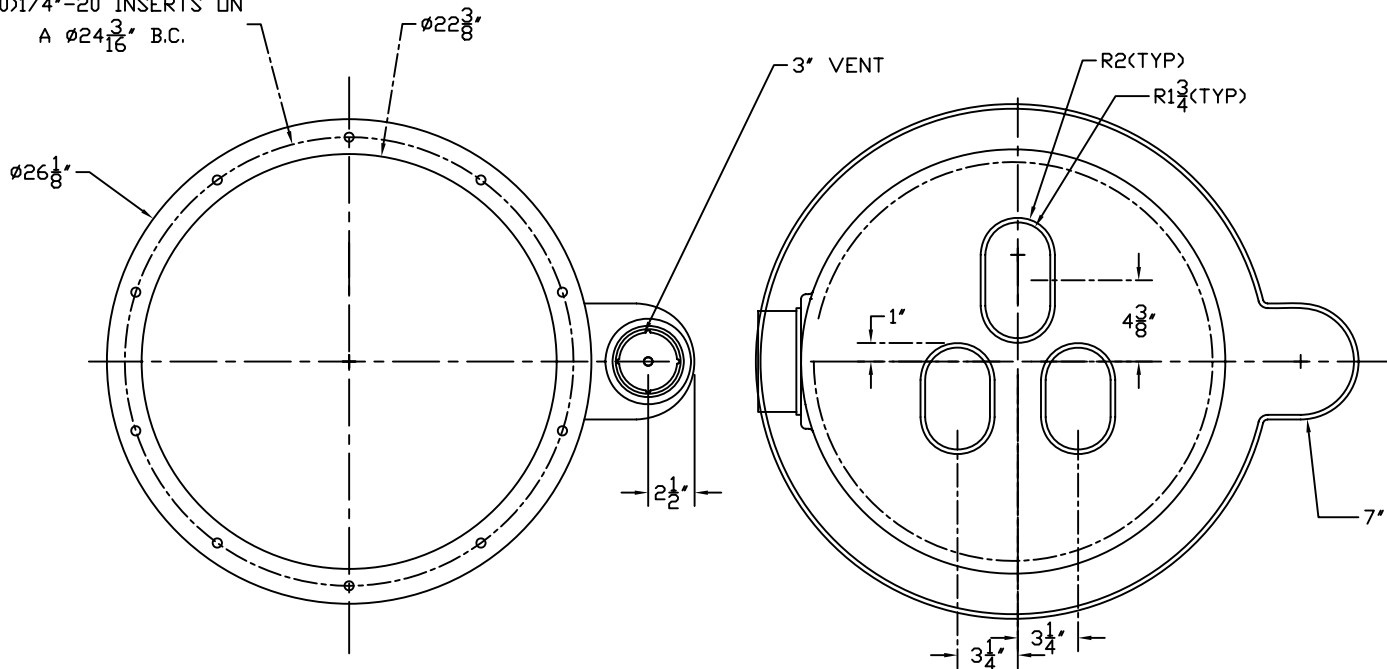
BASIN SVT 22X32 3" VENT (1) 4" CAST IRON HUB

NOT TO SCALE

002

9/3/03

(10) 1/4"-20 INSERTS ON  
A  $\varnothing 24 \frac{3}{16}$ " B.C.



**B.O.M.**

AKP40180 SVT 22X32

AKP10780 3" SPINWELD

AKP10180 4" CAST IRON HUB

AKR50070 (10) 1/4"-20 ALUMINUM INSERTS



AK INDUSTRIES INC.  
2055 PIDCO DR.  
PLYMOUTH, IN. 46563  
PHONE: (574) 936-6022

DRAWN BY:  
M. OLIVAREZ

TOLERANCE:  
 $\pm 0.250$  UNLESS SPECIFIED OTHERWISE

SIGNATURE:

THIS DRAWING IS THE SOLE PROPERTY OF AK INDUSTRIES INC.