

PART/PRINT #:

PART DESCRIPTION:

SCALE:

REVISION:

DATE:

AKP40220

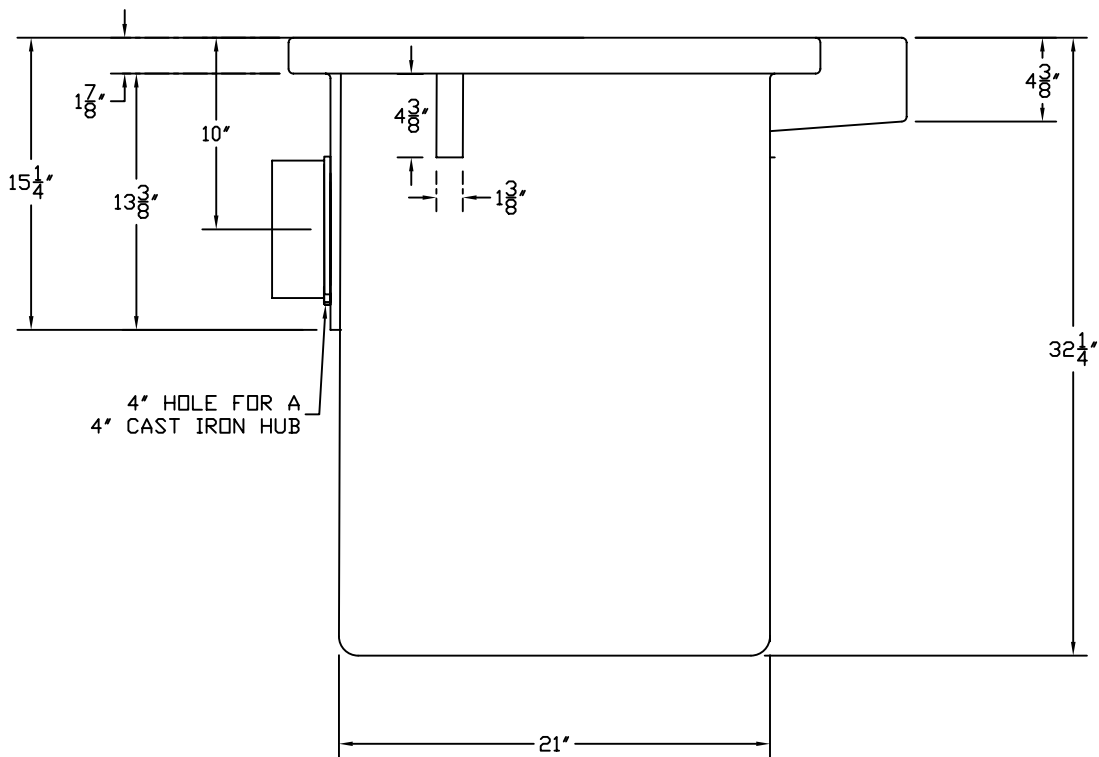
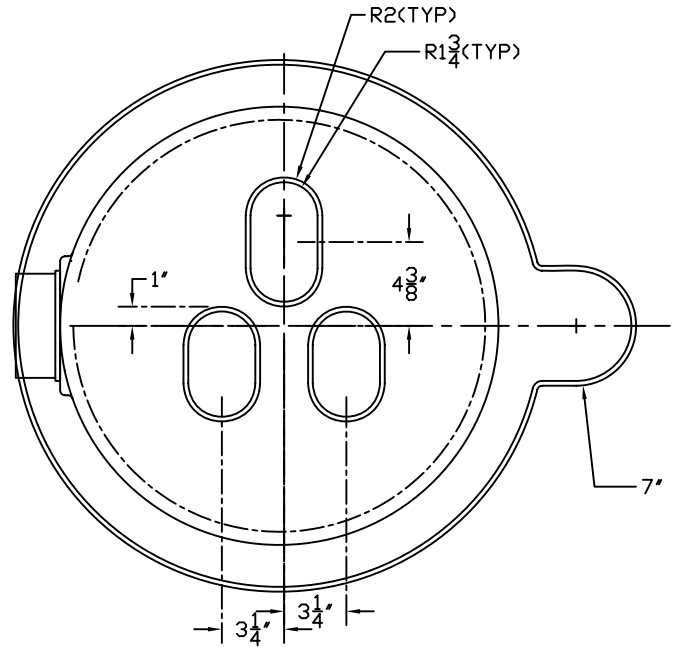
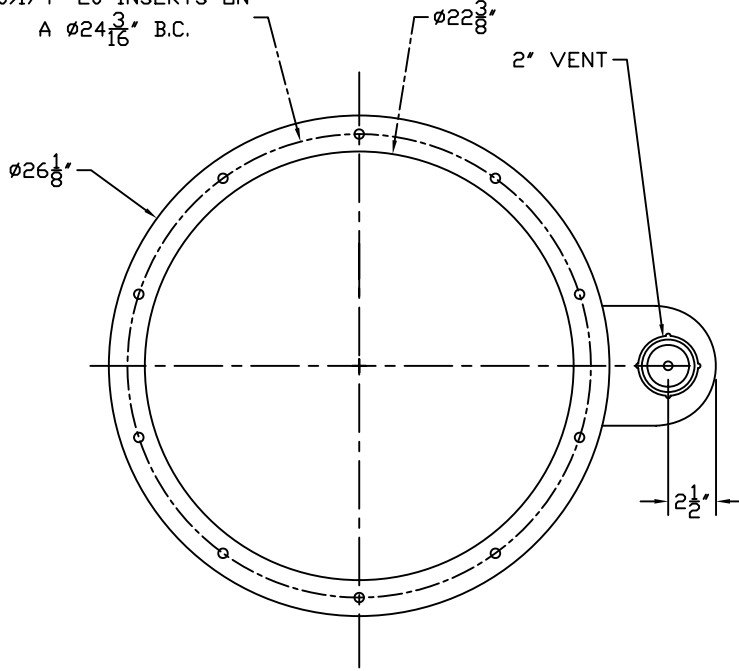
BASIN SVT 22X32 2" VENT (1) 4" CAST IRON HUB

NOT TO SCALE

002

9/3/03

(10) 1/4"-20 INSERTS DN
A $\phi 24 \frac{3}{16}$ " B.C.



- B.O.M.
- AKP40180 SVT 22X32
- AKP10770 2" SPINWELD
- AKP10180 4" CAST IRON HUB
- AKR50070 (10) 1/4"-20 ALUMINUM INSERTS



AK INDUSTRIES INC.
2055 PIDCO DR.
PLYMOUTH, IN. 46563
PHONE: (574) 936-6022

DRAWN BY:
M. OLIVAREZ

TOLERANCE:
 ± 0.250 UNLESS SPECIFIED OTHERWISE

SIGNATURE:

THIS DRAWING IS THE SOLE PROPERTY OF AK INDUSTRIES INC.