

PART/PRINT #:

PART DESCRIPTION:

SCALE:

REVISION:

DATE:

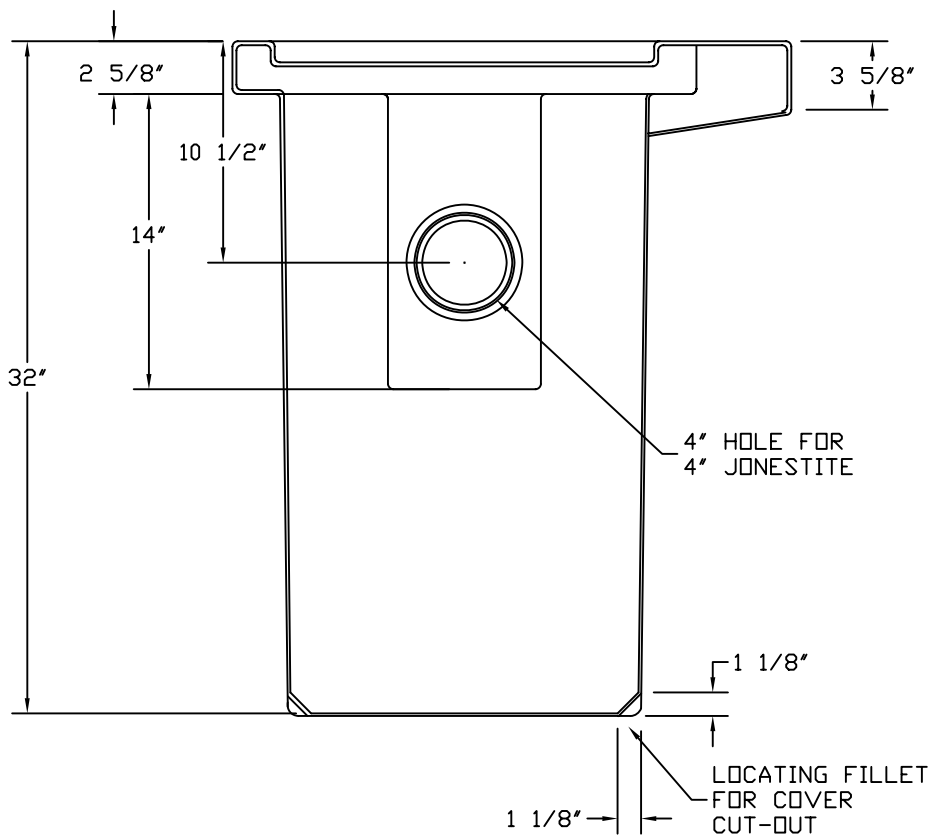
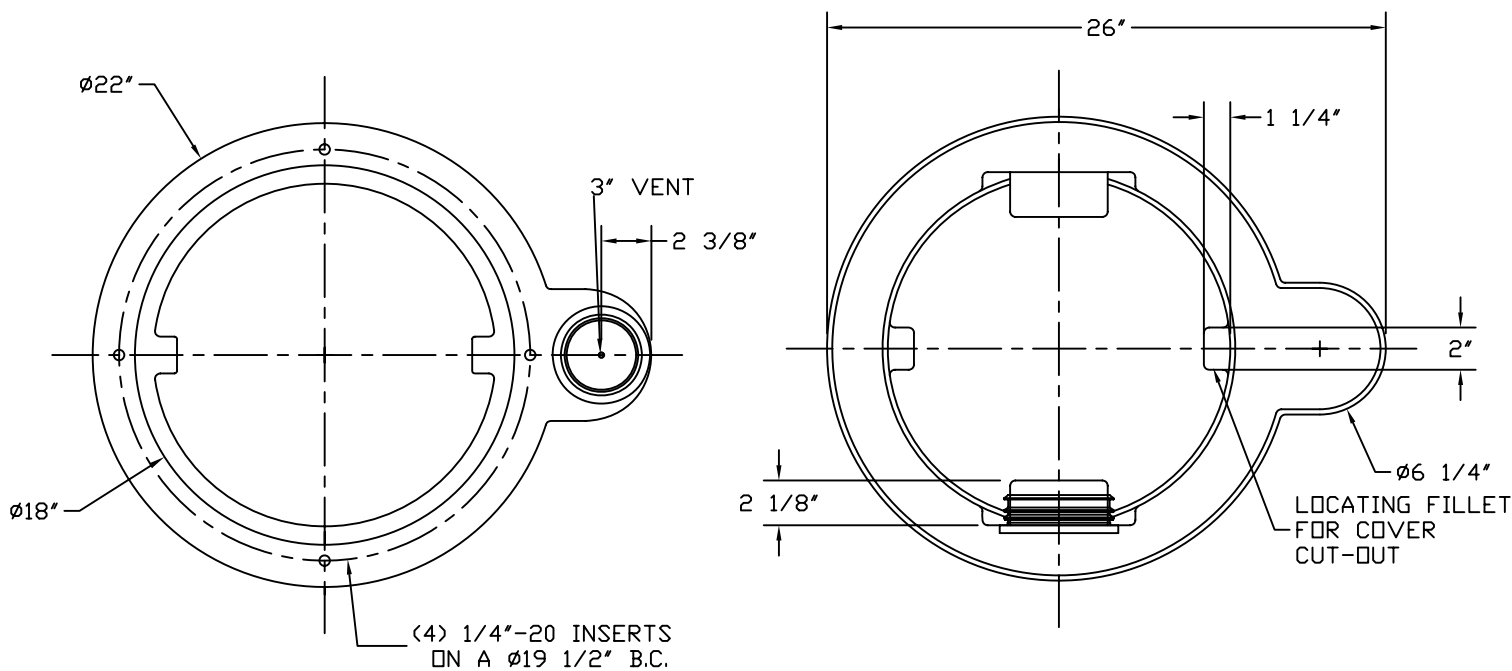
AKP40120

BASIN SVT 18X30 3" VENT (1) INTRHUB

NOT TO SCALE

002

9/3/03



THIS DRAWING IS THE SOLE PROPERTY OF AK INDUSTRIES INC.

B.O.M.

AKP40000 SVT 18X30

AKP10780 3" SPINWELD

AKP10570 4" JONES TITE

AKR50070 1/4"-20 ALUMINUM INSERTS



AK INDUSTRIES INC.
2055 PIDCO DR.
PLYMOUTH, IN. 46563
PHONE: (574) 936-6022

DRAWN BY:
M. OLIVAREZ

TOLERANCE:
± 0.250 UNLESS SPECIFIED OTHERWISE

SIGNATURE: