

PART/PRINT #:

PART DESCRIPTION:

SCALE:

REVISION:

DATE:

AKP40100

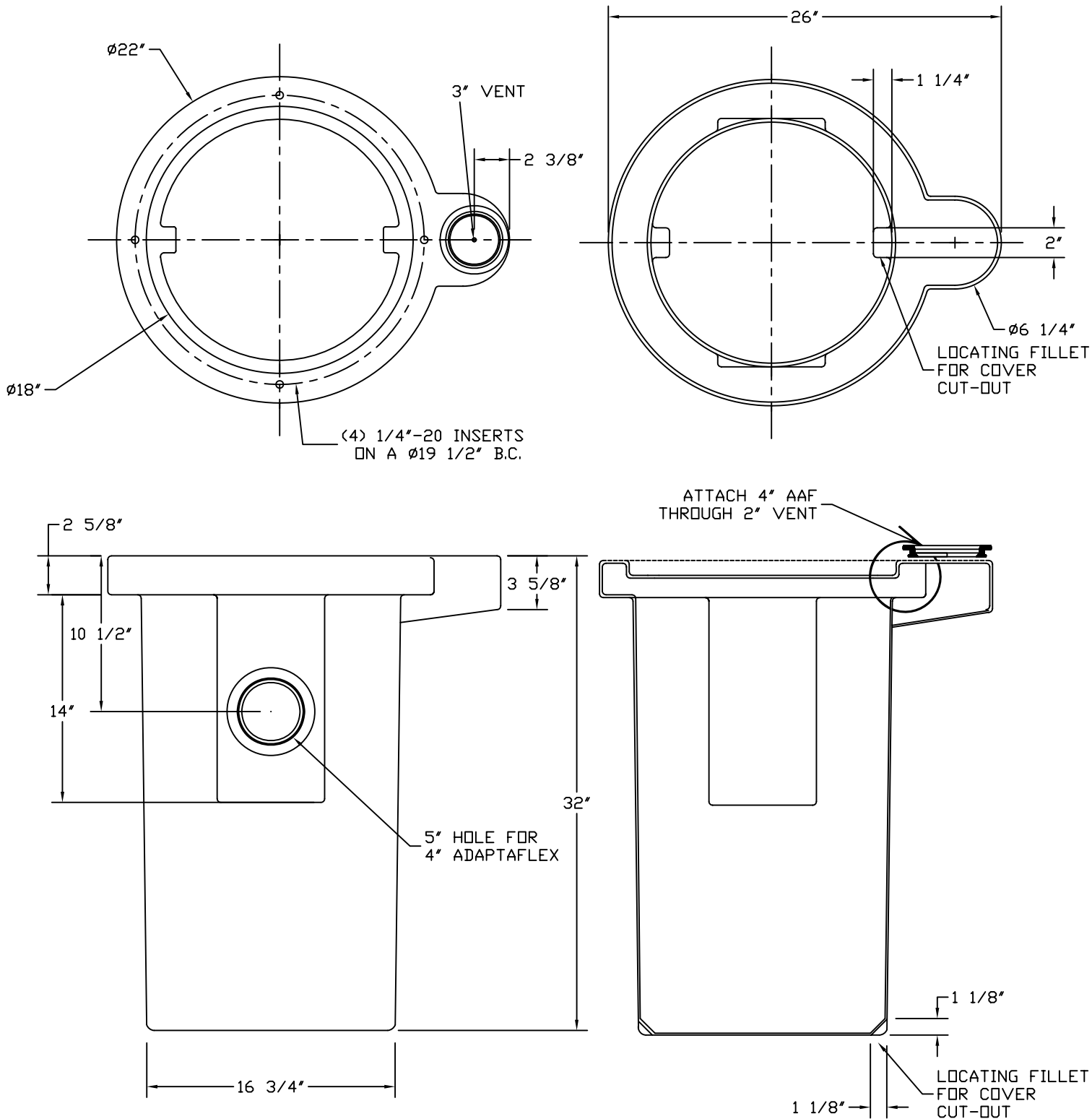
BASIN SVT 18X30 3" VENT (1) 4" AAF

NOT TO SCALE

003

12/8/03

THIS DRAWING IS THE SOLE PROPERTY OF AK INDUSTRIES INC.



**B.O.M**

**AKP40000 SVT 18X30**

**AKR50070 1/4"-20 ALUMINUM INSERTS**

**AKP10780 3" SPINWELD**

**AKP10111 4" ADAPT A FLEX W/ RETAINING RING**



AK INDUSTRIES INC.  
2055 PIDCO DR.  
PLYMOUTH, IN. 46563  
PHONE:(574) 936-6022

DRAWN BY:

M.Olivarez

TOLERANCE:

$\pm 0.0312$  UNLESS SPECIFIED OTHERWISE

SIGNATURE: