

PART/PRINT #:

PART DESCRIPTION:

SCALE:

REVISION:

DATE:

AKP40050

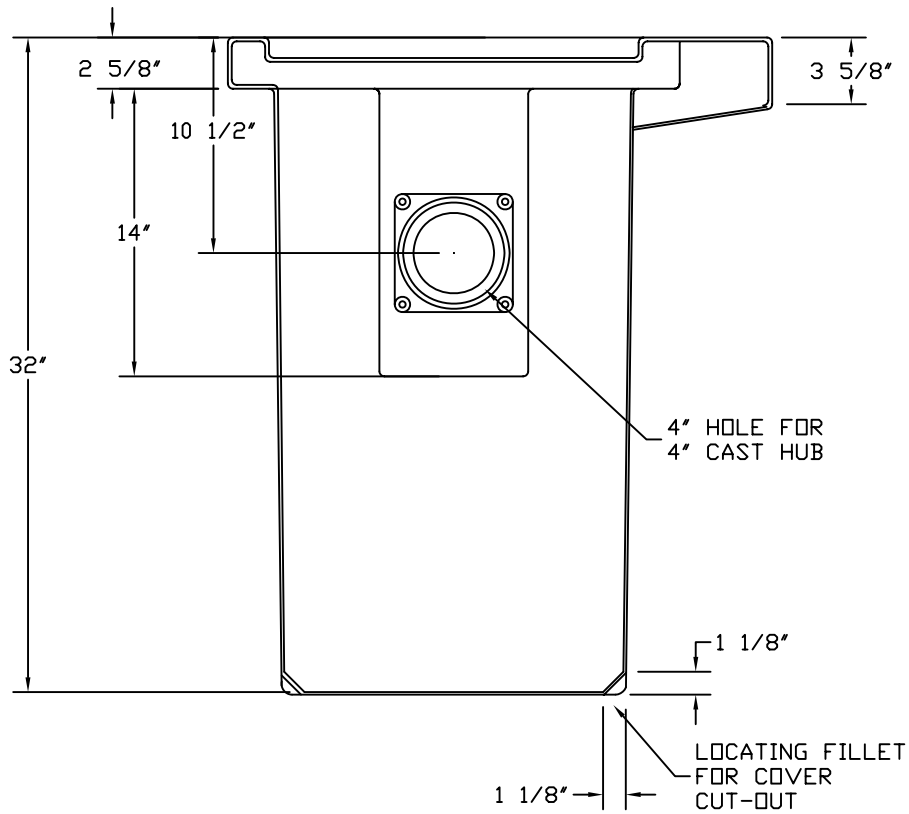
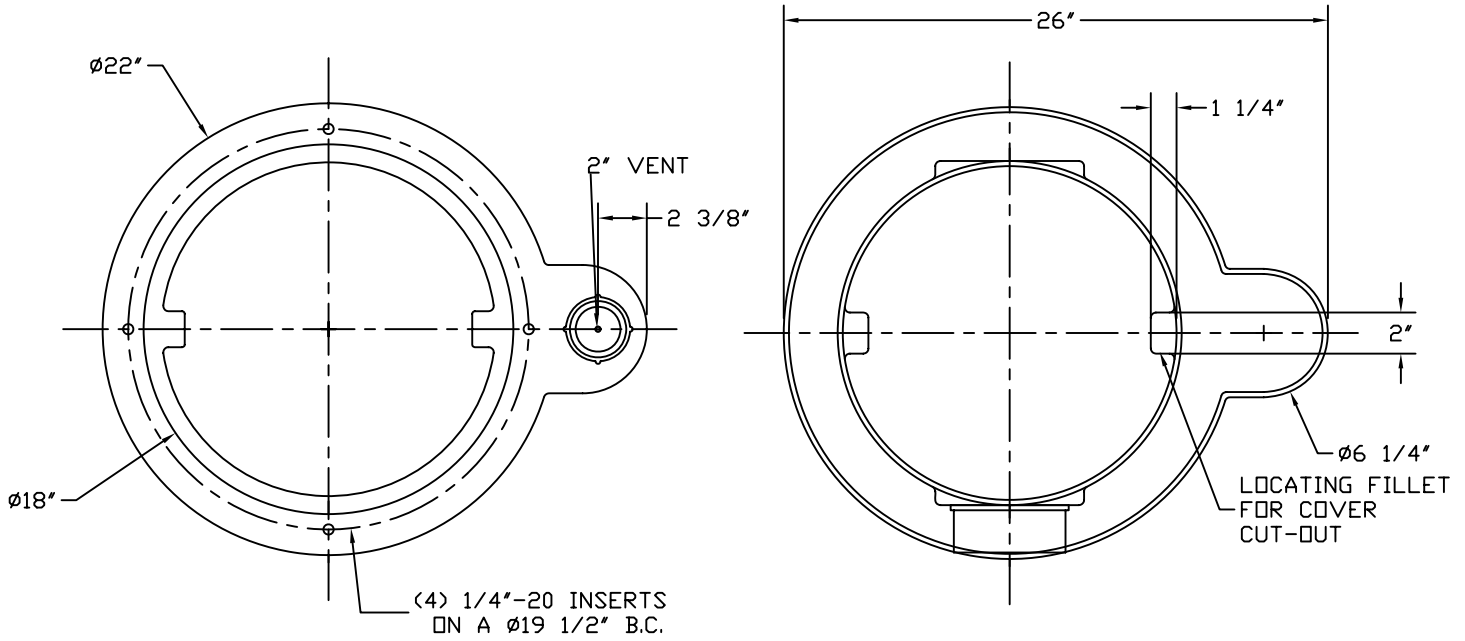
BASIN SVT 18X30 2" VENT (1) 4" CAST IRON HUB

NOT TO SCALE

002

9/3/03

THIS DRAWING IS THE SOLE PROPERTY OF AK INDUSTRIES INC.



**B.O.M.**

**AKP4000 SVT 18X30**

**AKP10770 2" SPINWELD**

**AKP10180 4" CAST IRON HUB**

**AKR50070 1/4"-20 ALUMINUM INSERTS**



AK INDUSTRIES INC.  
2055 PIDCO DR.  
PLYMOUTH, IN. 46563  
PHONE: (574) 936-6022

DRAWN BY:

M. OLIVAREZ

TOLERANCE:

$\pm 0.0312$  UNLESS SPECIFIED OTHERWISE

SIGNATURE: