

PART/PRINT #:

PART DESCRIPTION:

SCALE:

REVISION:

DATE:

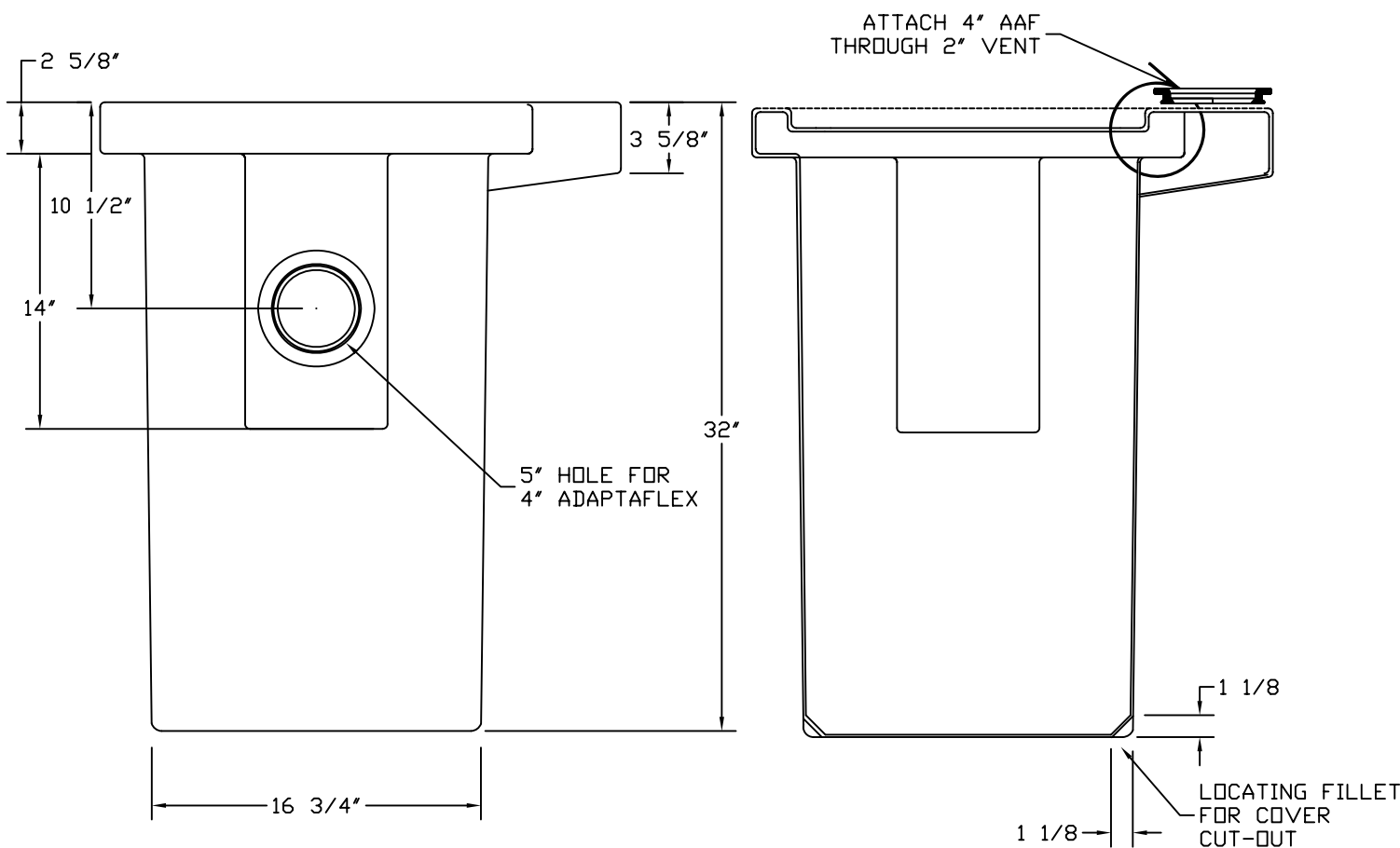
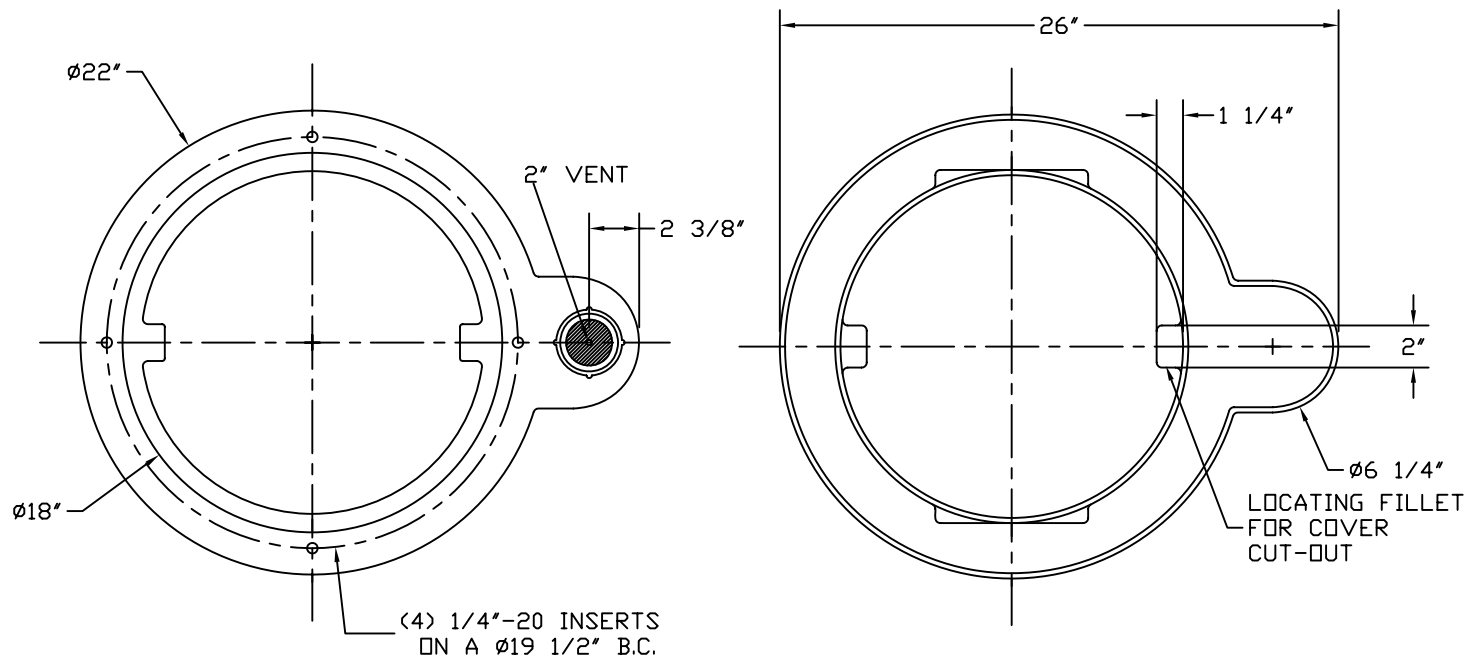
AKP40040

BASIN SVT 18X30 2" VENT (1) 4" AAF

NOT TO SCALE

003

12/8/03



B.O.M.

AKP40000 SVT 18X30

AKP10770 2" SPINWELD

AKP10111 4" ADAPT A FLEX W/RETAINING RING

AKR50070 (4)1/4"-20 ALUMINUM INSERTS



AK INDUSTRIES INC.
2055 PIDCO DR.
PLYMOUTH, IN. 46563
PHONE:(574) 936-6022

DRAWN BY:

M.Olivarez

TOLERANCE:

± 0.250 UNLESS SPECIFIED OTHERWISE

SIGNATURE:

THIS DRAWING IS THE SOLE PROPERTY OF AK INDUSTRIES INC.