

PART/PRINT #:

PART DESCRIPTION:

SCALE:

REVISION:

DATE:

AKP40010

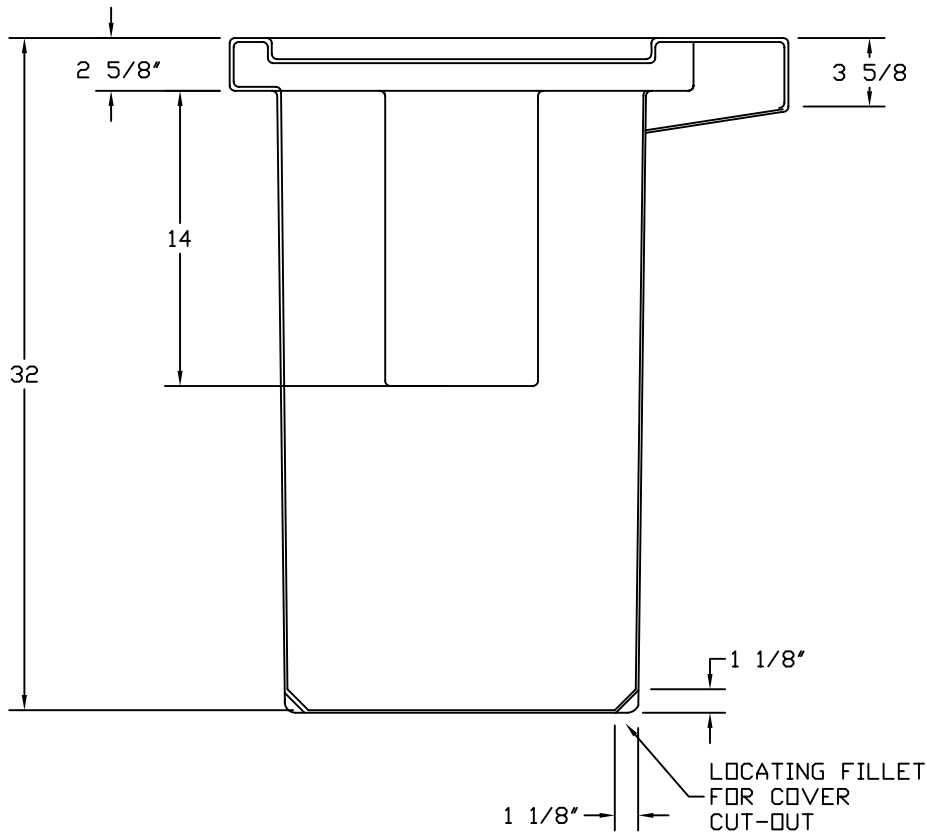
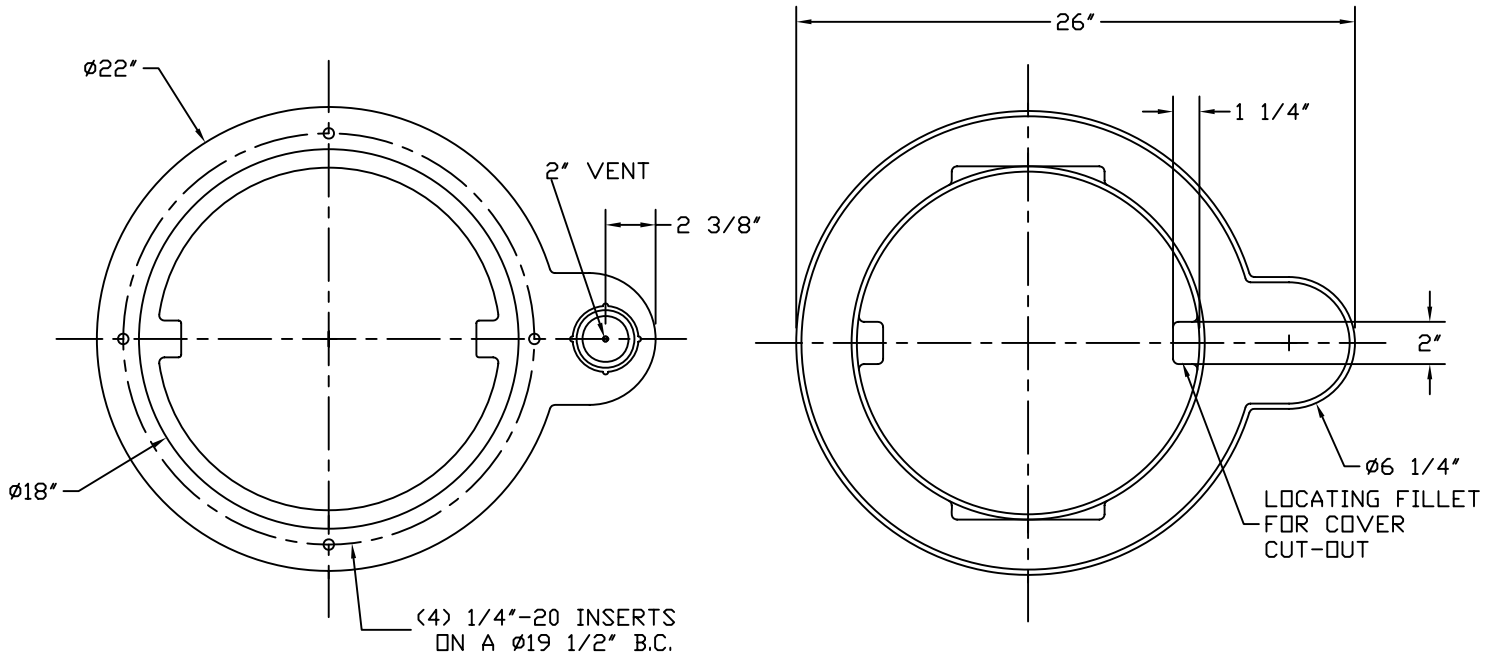
BASIN SVT 18X30 2" VENT

NOT TO SCALE

002

9/2/03

THIS DRAWING IS THE SOLE PROPERTY OF AK INDUSTRIES INC.



B.O.M

AKR50070 (4) 1/4"-20 ALUMINUM INSERTS

AKP10770 2" SPINWELD



AK INDUSTRIES INC.
2055 PIDCO DR.
PLYMOUTH, IN. 46563
PHONE: (574) 936-6022

DRAWN BY:
M. OLIVAREZ

TOLERANCE:
 ± 0.250 UNLESS SPECIFIED OTHERWISE

SIGNATURE: