

PART/PRINT #:

PART DESCRIPTION:

SCALE:

REVISION:

DATE:

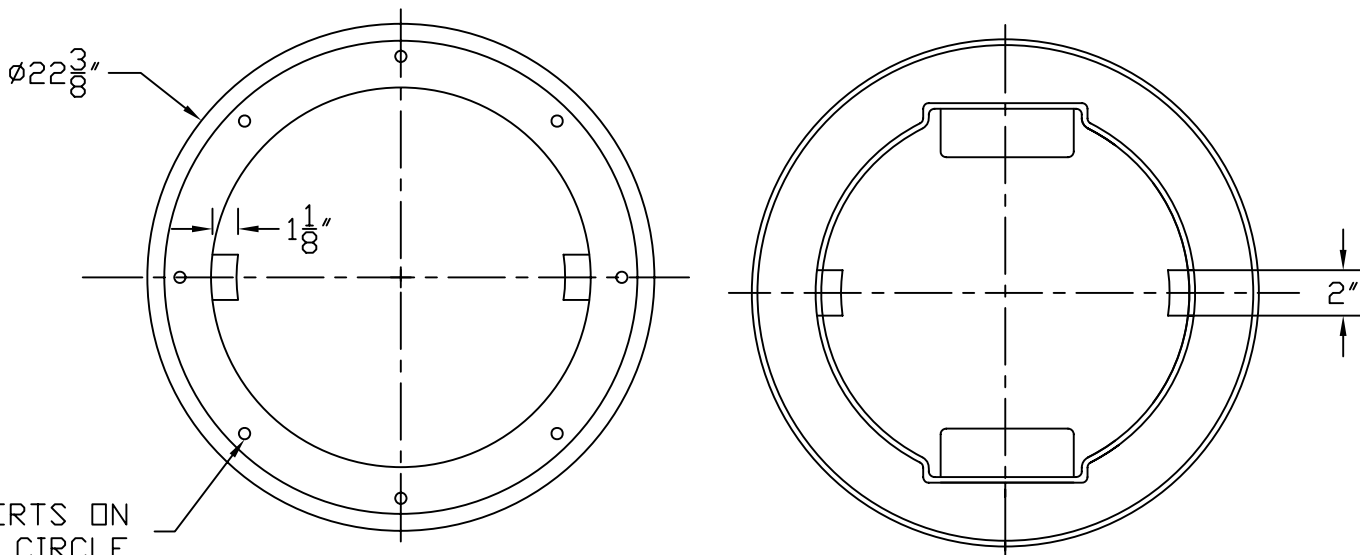
AKP30160

RTP 18X30 (2) INTERNAL HUB

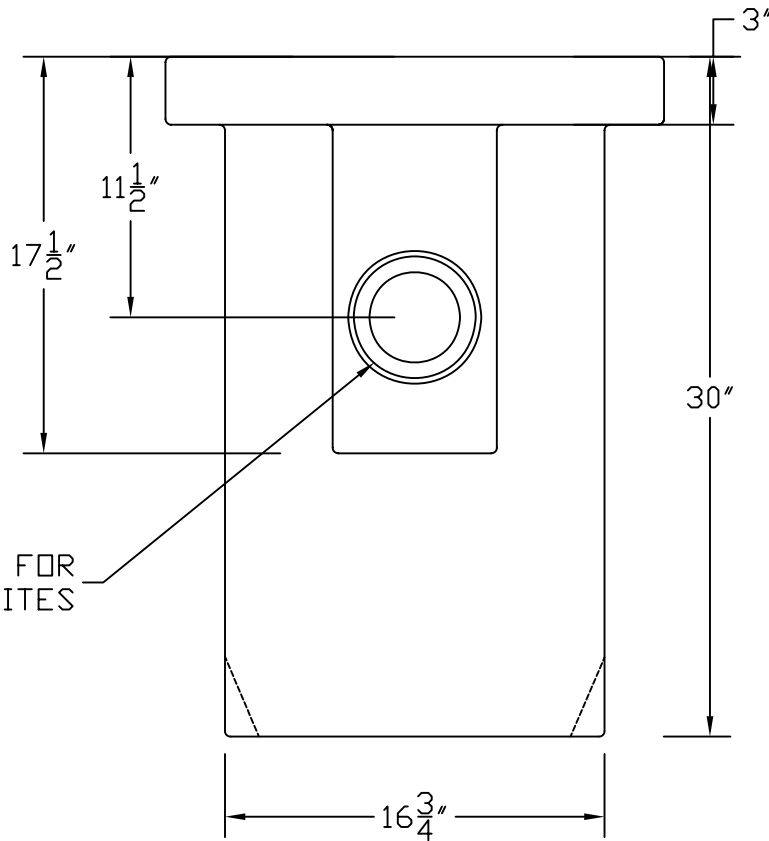
NOT TO SCALE

002

04/10/07



(8) INSERTS ON
19 1/2" Ø CIRCLE



(2) 4" HOLES FOR
(2) 4" JONESTITES

THIS DRAWING IS THE SOLE PROPERTY OF AK INDUSTRIES INC.

B.O.M.

AKP30070 RTP 18X30

AKP10570 (2) JONESTITES 4"

AKR50070 (8) 1/4"X20 ALUMINUM INSERTS



AK INDUSTRIES INC.
2055 PIDCO DR.
PLYMOUTH, IN. 46563
PHONE: (574) 936-6022

DRAWN BY:

M. OLIVAREZ

TOLERANCE:

± 0.250 UNLESS SPECIFIED OTHERWISE

SIGNATURE: