

PART/PRINT #:

PART DESCRIPTION:

SCALE:

REVISION:

DATE:

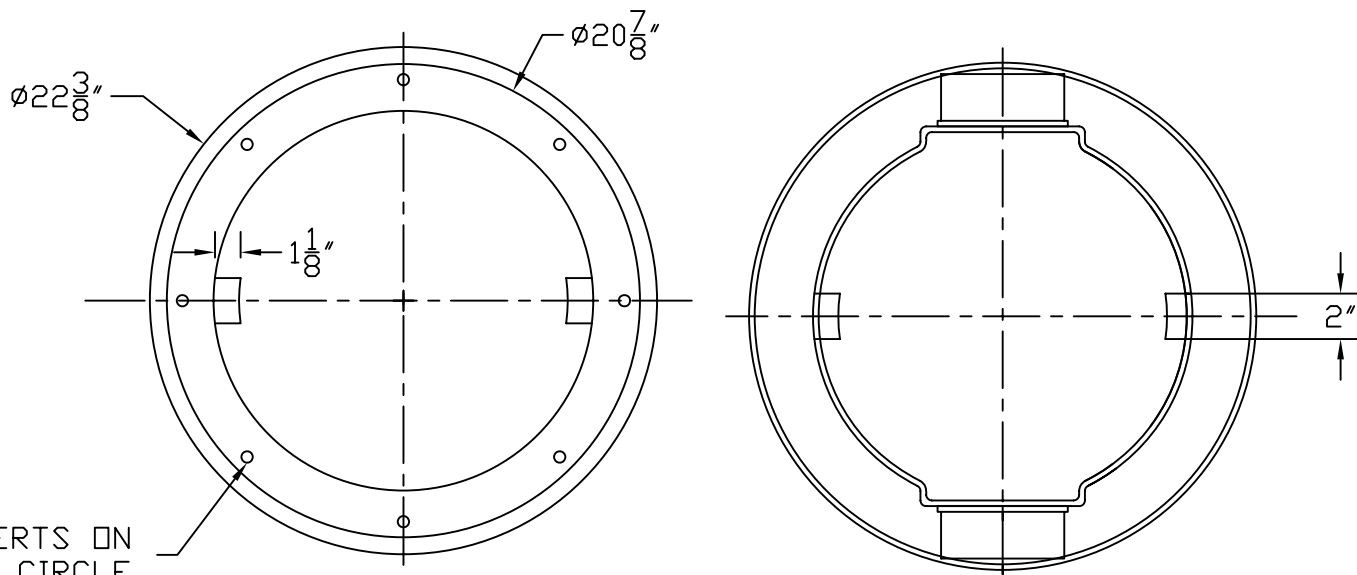
AKP30150

RTP 18X30 (2) 4" CAST IRON HUB

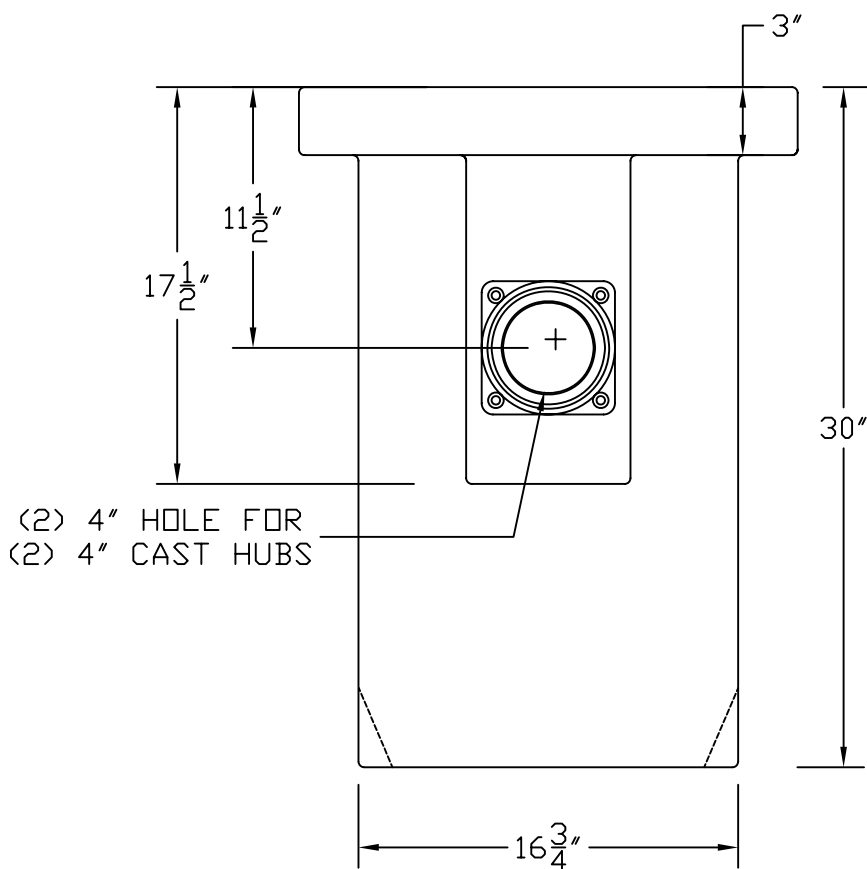
NOT TO SCALE

002

04/10/07



(8) INSERTS ON
19 1/2" ϕ CIRCLE



(2) 4" HOLE FOR
(2) 4" CAST HUBS

B.O.M.

AKP30070 RTP 18X30

AKP10180 (2) CAST IRON HUB FLAT 4"

AKR50070 (8) 1/4"X20 ALUMINUM INSERTS



AK INDUSTRIES INC.
2055 PIDCO DR.
PLYMOUTH, IN. 46563
PHONE: (574) 936-6022

DRAWN BY:

M. OLIVAREZ

TOLERANCE:

\pm 0.250 UNLESS SPECIFIED OTHERWISE

SIGNATURE: