

PART/PRINT #:

PART DESCRIPTION:

SCALE:

REVISION:

DATE:

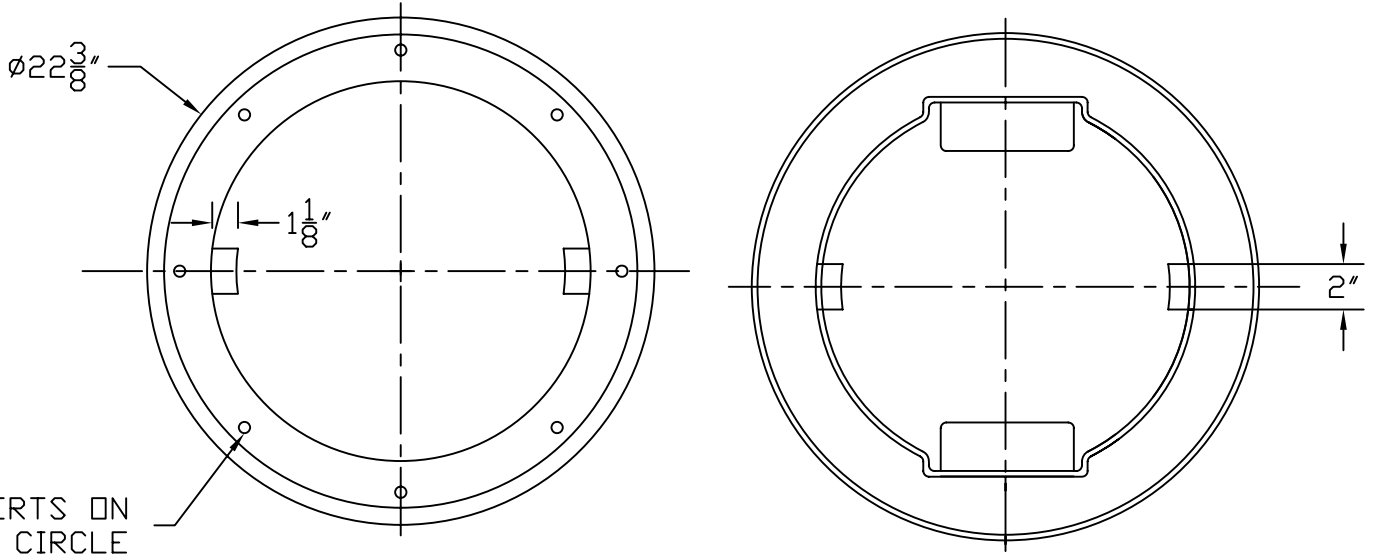
KP30140

RTP 18X30 (1) 4" INTERNAL HUB

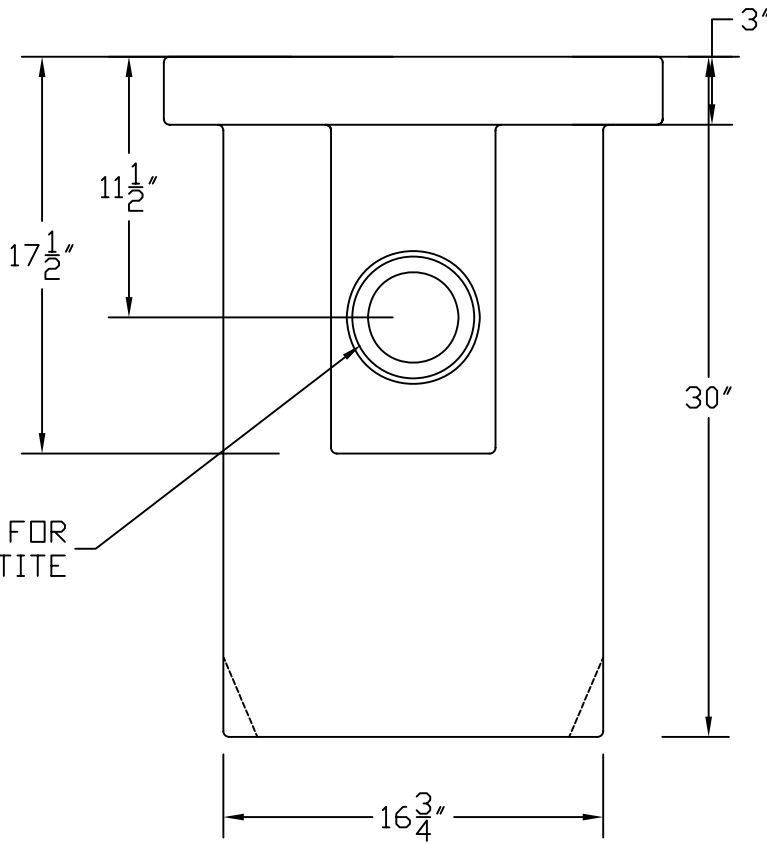
NOT TO SCALE

002

04/10/07



(8) INSERTS ON
19 1/2" Ø CIRCLE



4" HOLE FOR
4" JONESTITE

B.O.M.

AKP30070 RTP 18X30

AKR50070 (8) 1/4"X20 ALUMINUM INSERTS

AKP10570 JONESTITE 4"



AK INDUSTRIES INC.
2055 PIDCO DR.
PLYMOUTH, IN. 46563
PHONE: (574) 936-6022

DRAWN BY:

M. OLIVAREZ

TOLERANCE:

± 0.250 UNLESS SPECIFIED OTHERWISE

SIGNATURE: