

PART/PRINT #:

PART DESCRIPTION:

SCALE:

REVISION:

DATE:

AKP30115

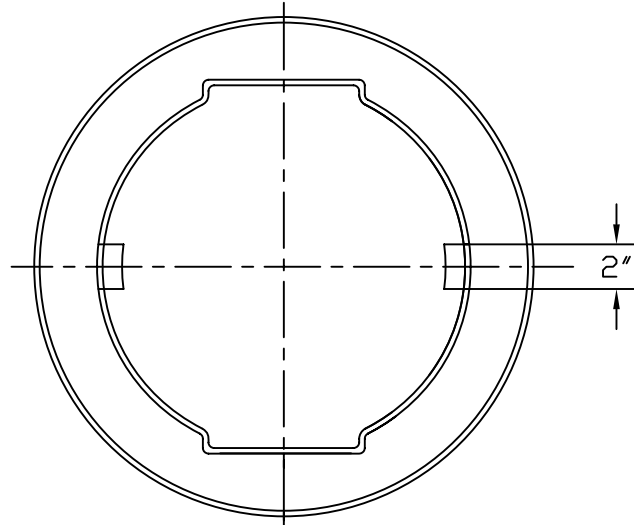
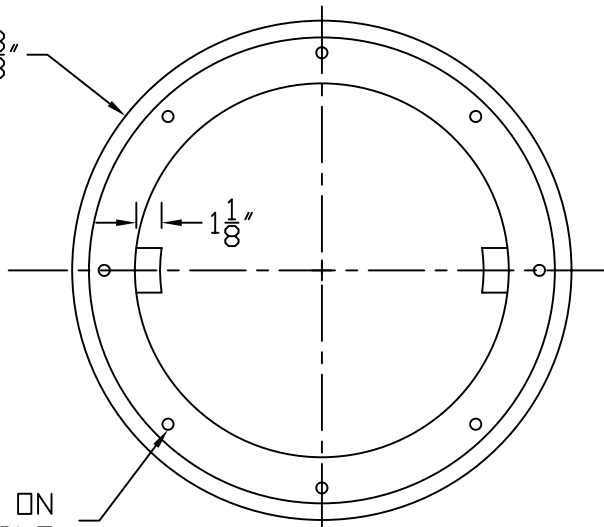
RTP 18X30 (1) 3" AAF

NOT TO SCALE

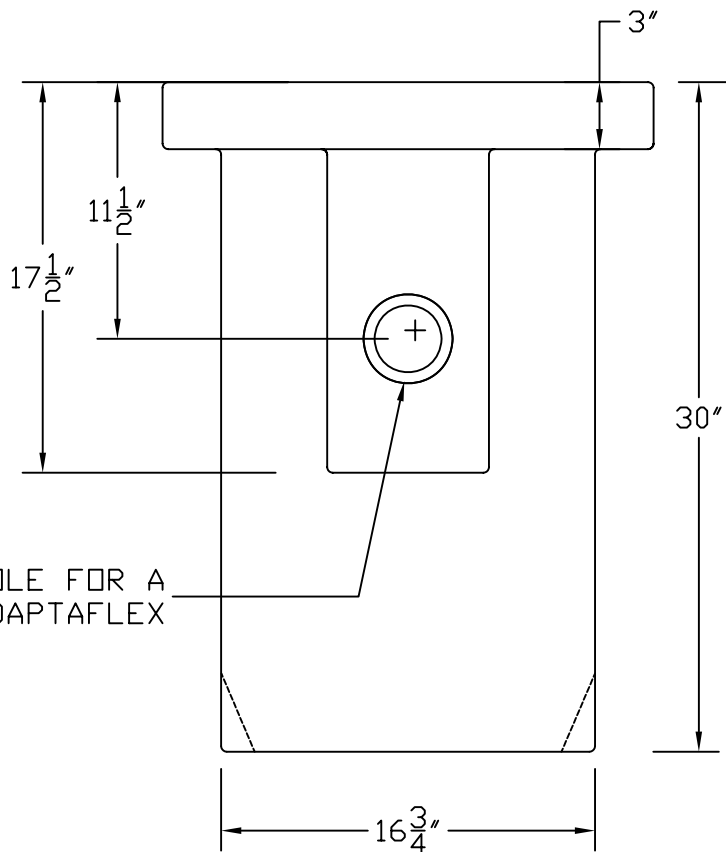
002

04/10/07

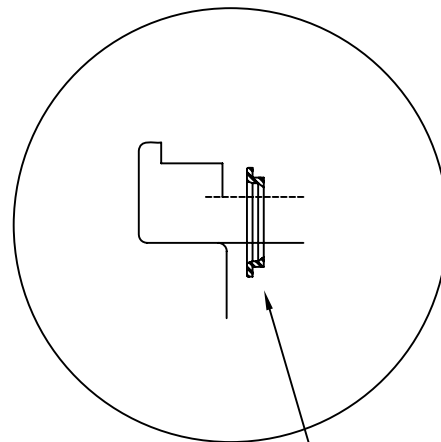
$\phi 22\frac{3}{8}"$



(8) INSERTS ON
19 1/2" ϕ CIRCLE



4" HOLE FOR A
3" ADAPTAFLEX



3" ADAPTAFLEX ATTACHED
ON THE INSIDE LIP OF
ROLL TOP

B.O.M.

AKP30070 RTP 18X30

AKP10080 ADAPTAFLEX 3"

AKR50070 1/4-20 ALUMINUM INSERT



AK INDUSTRIES INC.
2055 PIDCO DR.
PLYMOUTH, IN. 46563
PHONE: (574) 936-6022

DRAWN BY:

M. OLIVAREZ

TOLERANCE:

± 0.250 UNLESS SPECIFIED OTHERWISE

SIGNATURE:

THIS DRAWING IS THE SOLE PROPERTY OF AK INDUSTRIES INC.