

PART/PRINT #:

PART DESCRIPTION:

SCALE:

REVISION:

DATE:

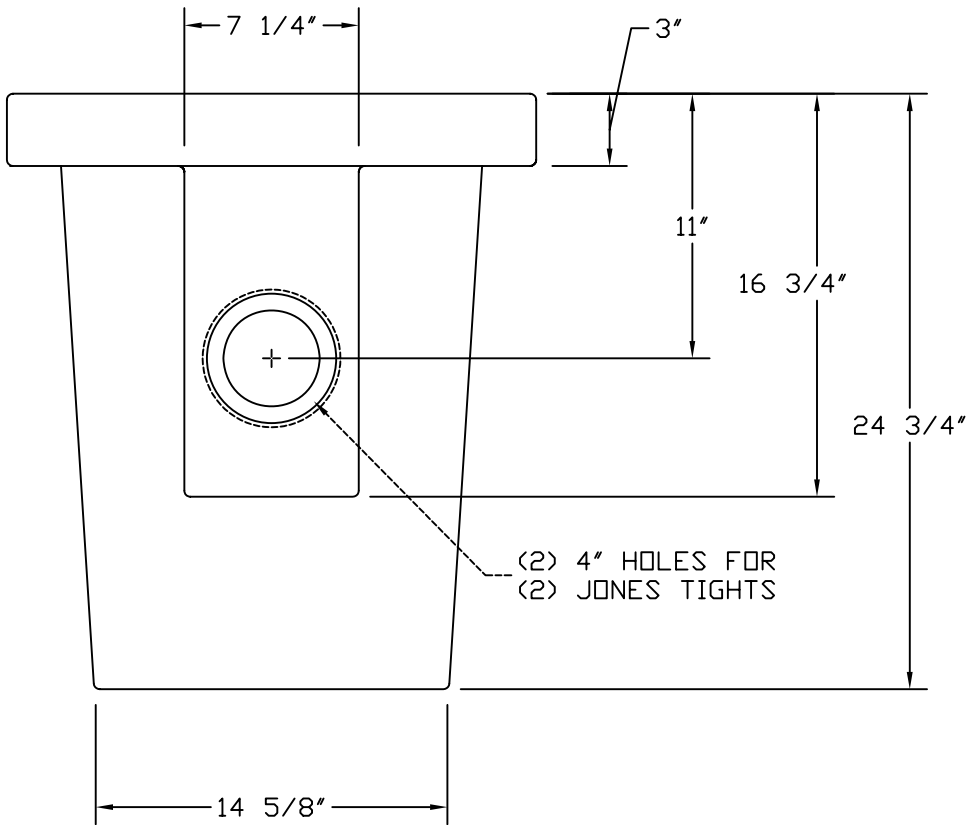
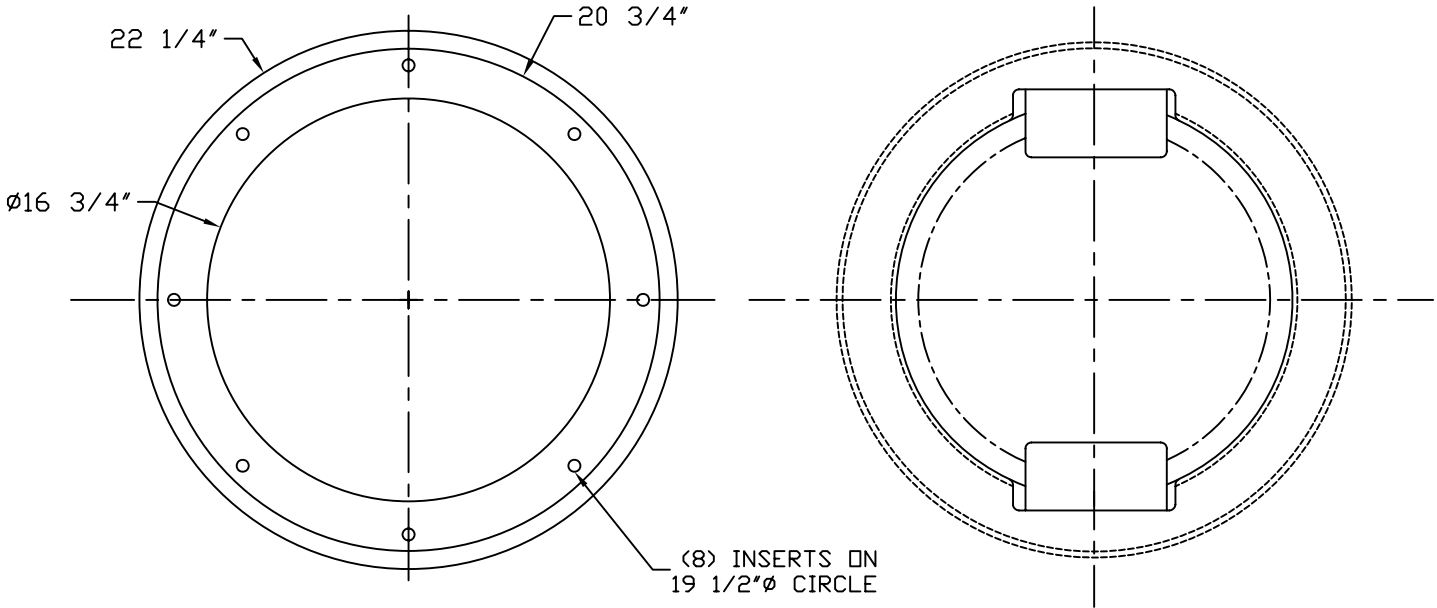
AKP30030

RTP 18X22 (2) INTERNAL HUB

NOT TO SCALE

001

04/10/07



B.O.M.

AKP30000 RTP 18X22

AKP10570 (2) 4" JONES TIGHT

AKR50070 (8) 1/4X20 ALUMINUM INSERTS



AK INDUSTRIES INC.
2055 PIDCO DR.
PLYMOUTH, IN. 46563
PHONE: (574) 936-6022

DRAWN BY:
M. OLIVAREZ

TOLERANCE:
± 0.250 UNLESS SPECIFIED OTHERWISE

SIGNATURE:

THIS DRAWING IS THE SOLE PROPERTY OF AK INDUSTRIES INC.