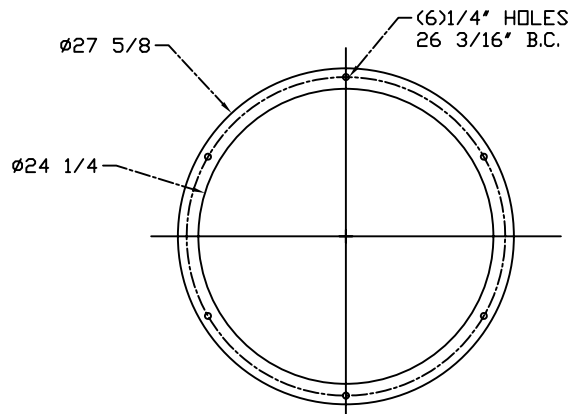
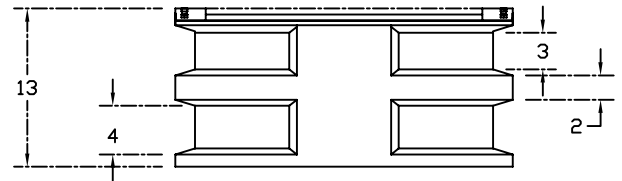
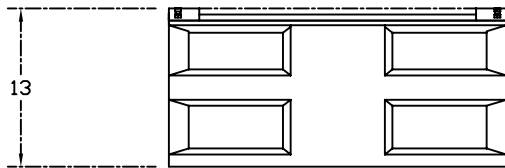
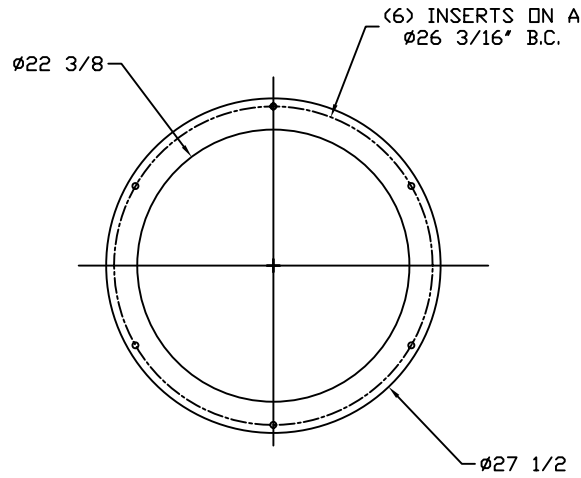


PART/PRINT NO.
AKP20005

PART DESCRIPTION
BASIN RIB 24 X 12 RIB BASIN EXTENSION

REVISION
000

DATE
10/9/07



B.O.M
AKR50070 (6) 1/4-20 ALUMINUM INSERTS
AKP20006 GASKET PACK FOR 24 X 12 EXTENSION

NOTE:
USE NEW AND OLD TOPS

DRAWN
M. OLIVAREZ

MATERIAL
POLYETHYLENE

TOLERANCE
+/- .250 UNLESS SPECIFIED OTHERWISE

SIGNATURE