

PART/PRINT #:

PART DESCRIPTION:

SCALE:

REVISION:

DATE:

AKP70070

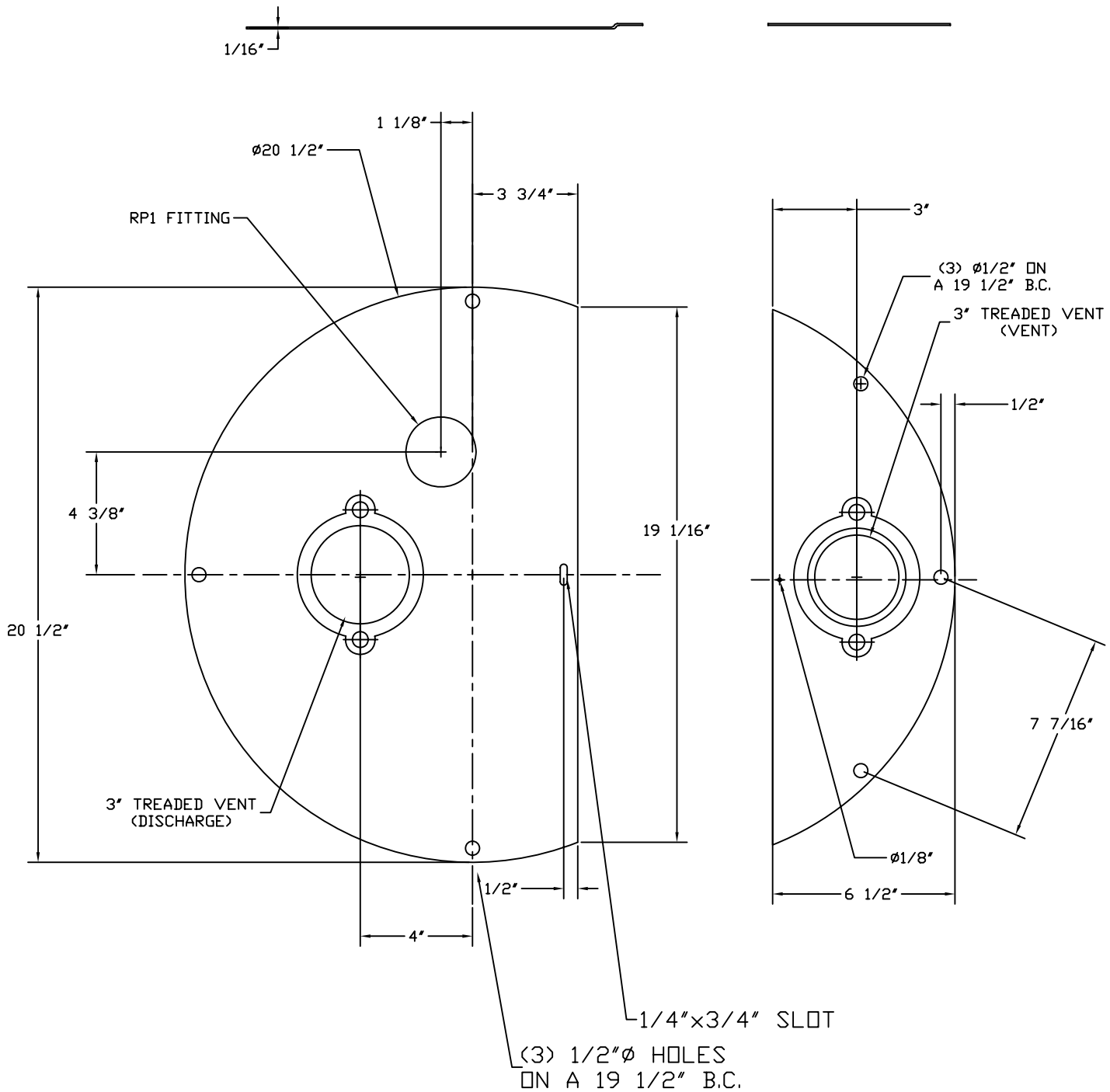
STEEL SPLIT 18" 3 X 3 BOLT DN

NOT TO SCALE

001

9/4/03

THIS DRAWING IS THE SOLE PROPERTY OF AK INDUSTRIES INC.



B.O.M.

- AKR50960 SPLITSTEEL COVER 4X2.5(LARGE)
- AKR51360 SPLITSTEEL COVER 4"(SMALL)
- AKP10450-S GASKET PACK 18" CVR 3X3 BOLT DN
- AKR70270 (2) 3" TREADED VENT
- AKR20540 (4) 3/8X1 1/2" BOLTS
- AKR70320 (4) 3/8" FLAT WASHERS



AK INDUSTRIES INC.
 2055 PIDCO DR.
 PLYMOUTH, IN. 46563
 PHONE:(574) 936-6022

DRAWN BY:

M.OLIVAREZ

TOLERANCE:

± 0.0625 UNLESS SPECIFIED OTHERWISE

SIGNATURE: