

PART/PRINT #:

PART DESCRIPTION:

SCALE:

REVISION:

DATE:

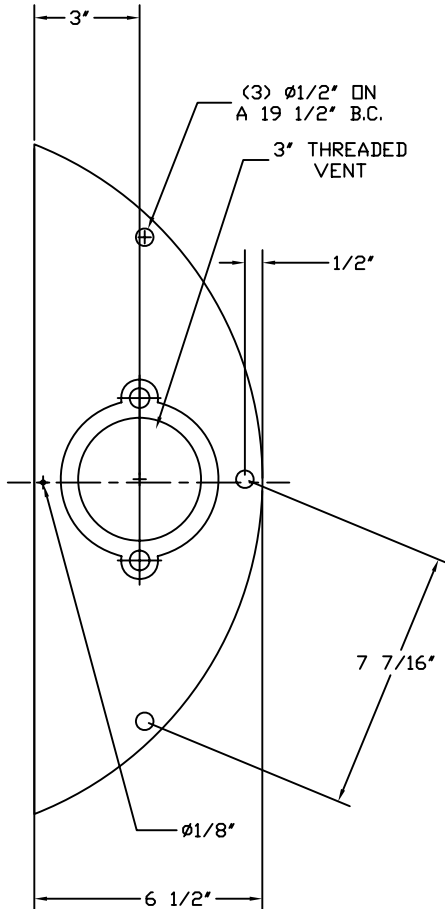
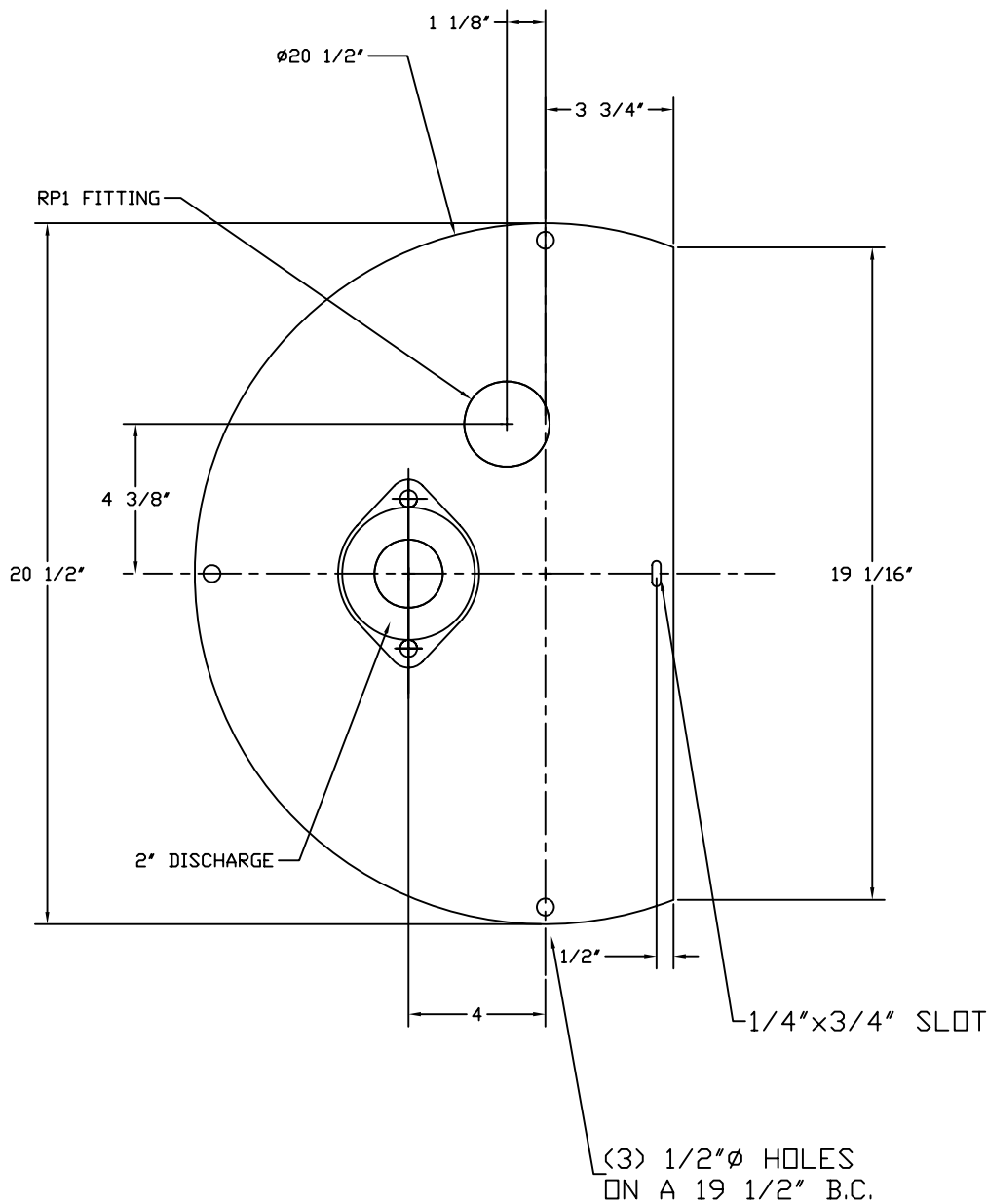
AKP70030

STEEL SPLIT 18" 2X3 BOLT DN

NOT TO SCALE

001

9/4/03



THIS DRAWING IS THE SOLE PROPERTY OF AK INDUSTRIES INC.

- B.O.M.
- AKR51150 SPLITSTEEL COVER 3X2.5(LARGE)
- AKR51360 SPLITSTEEL COVER 4"(SMALL)
- AKP10430-S GASKET PACK CVR 2X3 BOLT DN
- AKR70270 3" THREADED VENT
- AKR50460 2" DISCHARGE
- AKR70540 2" FLAT PLATE
- AKR20540 (4) 3/8"X1 1/2" BOLTS
- AKR70320 (4) 3/8" FLAT WASHERS



AK INDUSTRIES INC.
 2055 PIDCO DR.
 PLYMOUTH, IN. 46563
 PHONE:(574) 936-6022

DRAWN BY:
 M.OLIVAREZ

TOLERANCE:
 ± 0.0625 UNLESS SPECIFIED OTHERWISE

SIGNATURE: