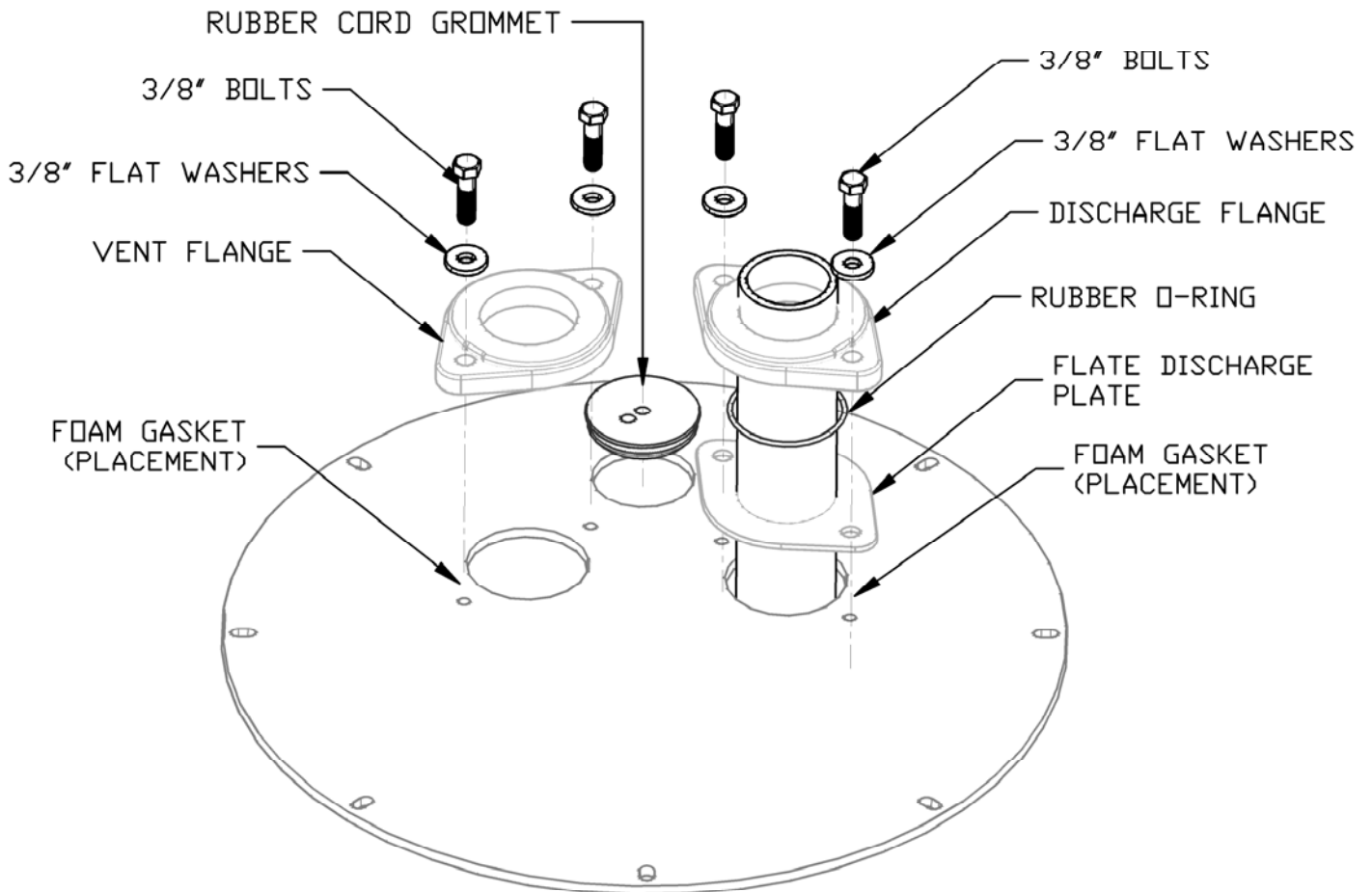


# AK INDUSTRIES INSTALLATION OF LOOSE COVER FITTINGS



- 1) INSPECT ALL MATERIALS & COMPONENTS TO BE CERTAIN NOTHING WAS DAMAGED IN TRANSIT.
- 2) APPLY FOAM GASKET MATERIAL AROUND VENT & DISCHARGE HOLES
- 3) BOLT VENT FLANGE TO COVER WITH (2) 3/8" BOLTS AND (2) 3/8" FLAT WASHERS
- 4) SLIDE THE FLAT DISCHARGE PLATE, O-RING AND DISCHARGE FLANGE OVER THE DISCHARGE PIPE.
- 5) ATTACH THE ABOVE DISCHARGE ASSEMBLY TO THE COVER WITH (2) 3/8" FLAT WASHERS & (2) 3/8" BOLTS
- 6) TAKE THE RUBBER CORD GROMMET AND PLACE YOUR WIRES THROUGH THE HOLES IN IT AND THEN PUSH THE GROMMET INTO THE HOLE IN THE COVER UNTIL IT IS SEATED