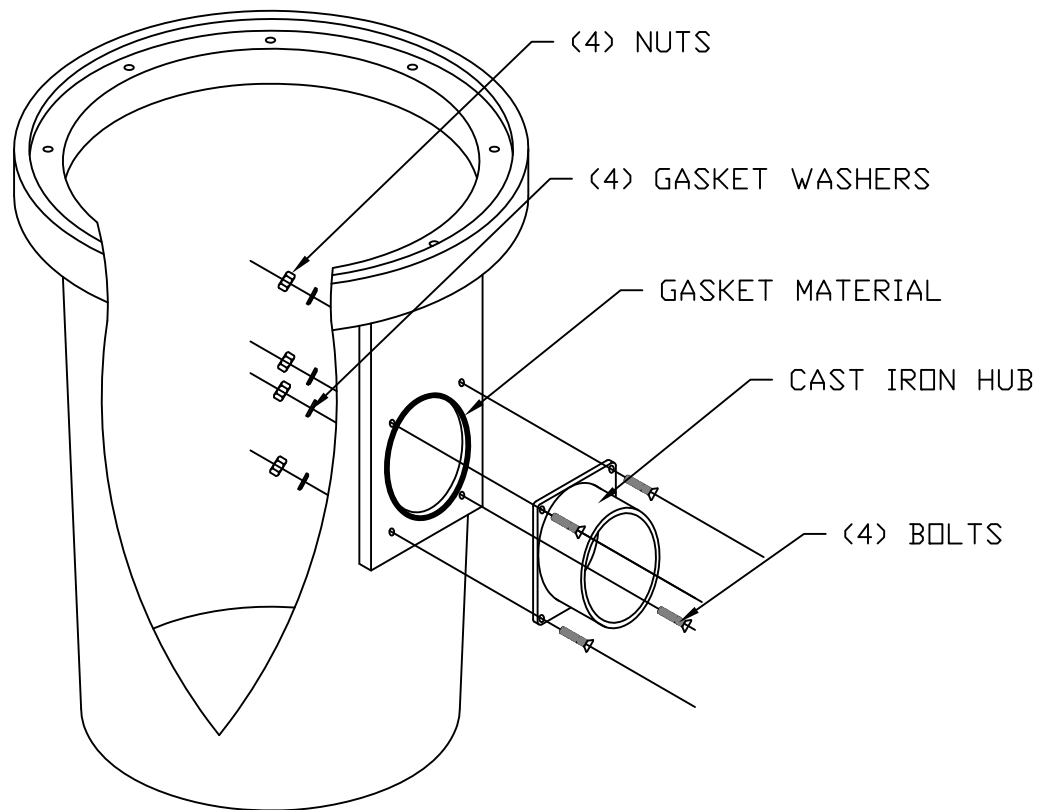


AK INDUSTRIES INSTALLATION OF CAST IRON HUB



- 1) INSPECT ALL MATERIALS & COMPONENTS TO BE CERTAIN NOTHING WAS DAMAGED IN TRANSIT.
- 2) CUT HOLE ACCORDING TO CAST IRON HUB BEING INSTALLED.
- 3) DRILL MOUNTING HOLES USING CAST IRON HUB AS TEMPLATE.
- 4) PLACE GASKET MATERIAL AROUND OUTSIDE OF HOLE.
- 5) MOUNT CAST IRON HUB USING BOLTS AS SHOWN.
- 6) ON INSIDE OF THE BASIN, PLACE GASKET WASHERS AND NUTS ON BOLTS AND TIGHTEN.