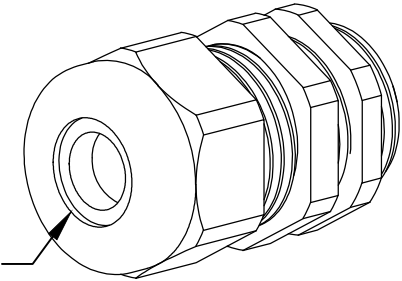


PART/PRINT NO.
LA-075CG

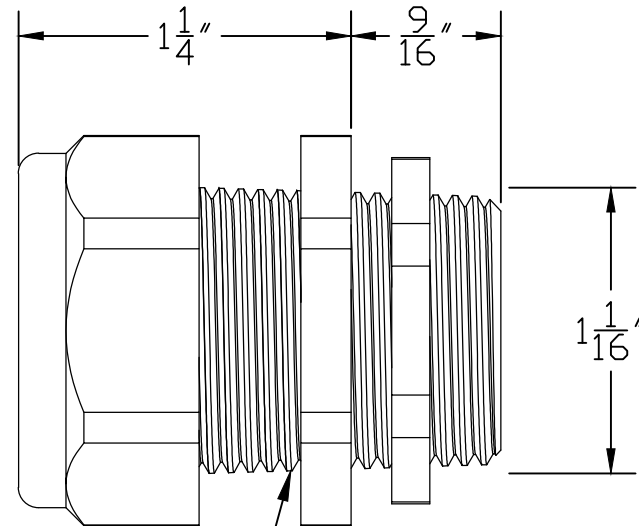
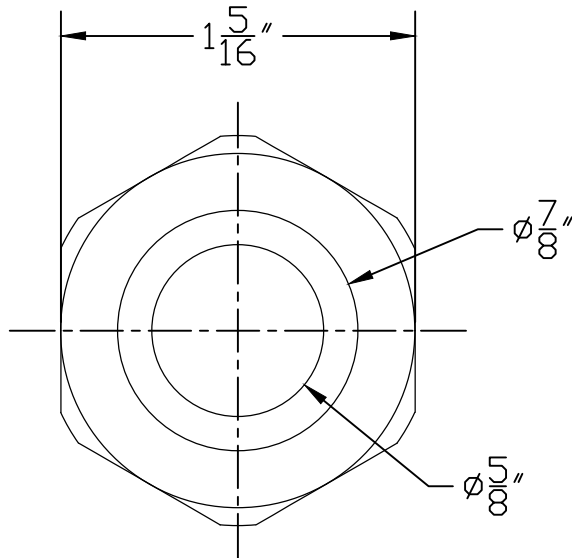
PART DESCRIPTION
3/4" ELECTRICAL CORD GRIP

DATE
06/01/16

THIS DRAWING IS THE THE SOLE PROPERTY OF AK INDUSTRIES INC.



3/4" CORD GRIP FOR CORDS
RANGING FROM 0.45" TO 0.71"
REQUIRES A 1 1/8" HOLE



3/4" NPT PIPE SIZE, 14 THREADS PER INCH,
0.55" THREAD ENGAGEMENT



AK INDUSTRIES INC.
2055 PIDCO DR.
PLYMOUTH, IN. 46563
PHONE:(574) 936-6022

DRAWN BY:
A.HARTUNG

SCALE:
NOT TO SCALE

REVISION #:

SIGNATURE: