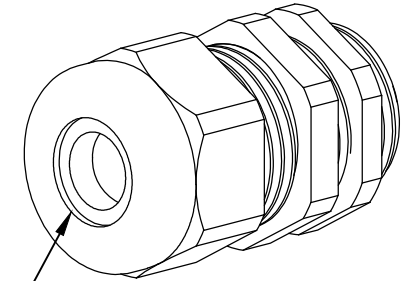


PART/PRINT NO.
LA-050CG

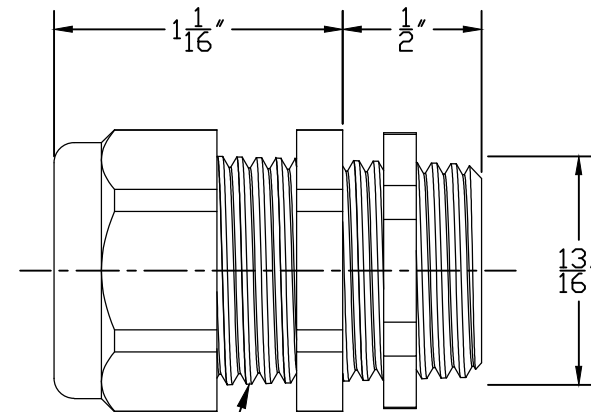
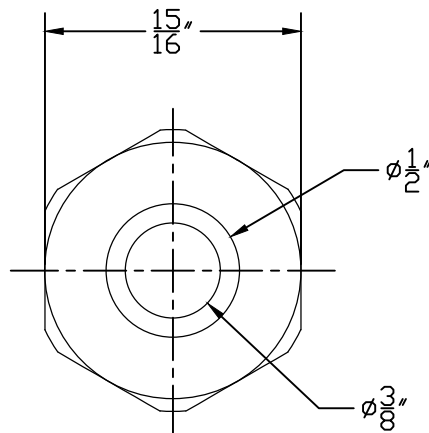
PART DESCRIPTION
1/2" ELECTRICAL CORD GRIP

DATE
06/01/16

THIS DRAWING IS THE THE SOLE PROPERTY OF AK INDUSTRIES INC.



1/2" CORD GRIP FOR CORDS
RANGING FROM 0.17" TO 0.47"
REQUIRES A 7/8" HOLE



1/2" NPT PIPE SIZE, 14 THREADS PER INCH,
0.53" THREAD ENGAGEMENT



AK INDUSTRIES INC.
2055 PIDCO DR.
PLYMOUTH, IN. 46563
PHONE: (574) 936-6022

DRAWN BY:
A.HARTUNG

SCALE:
NOT TO SCALE

REVISION #:

SIGNATURE: