

PART/PRINT #:

PART DESCRIPTION:

SCALE:

REVISION:

DATE:

AKP60140

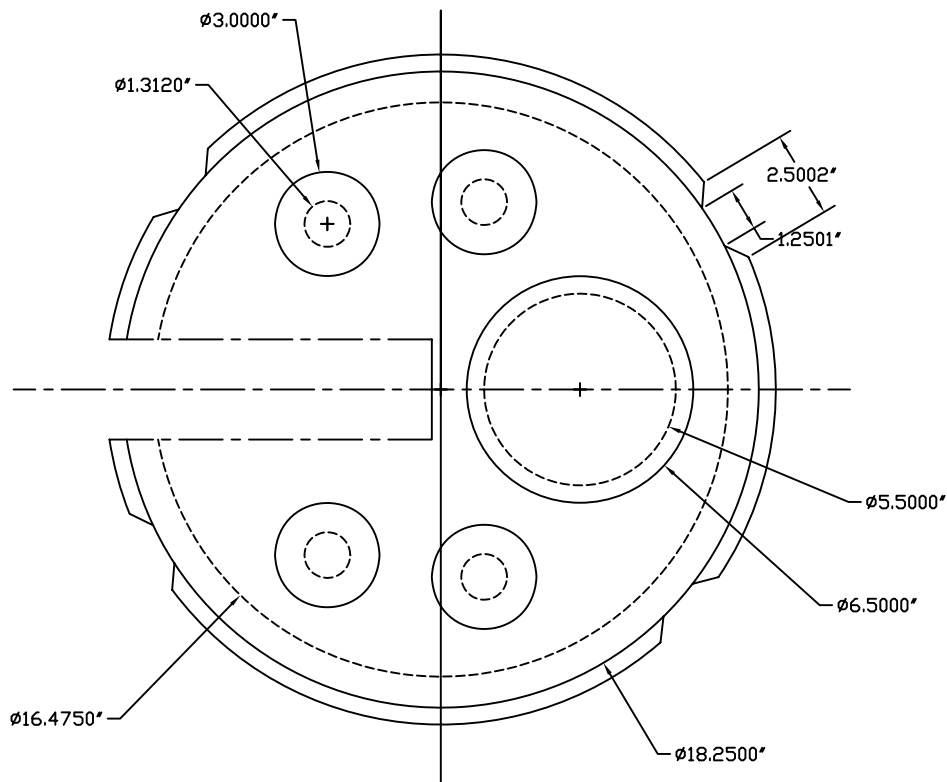
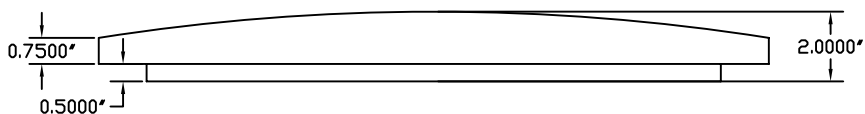
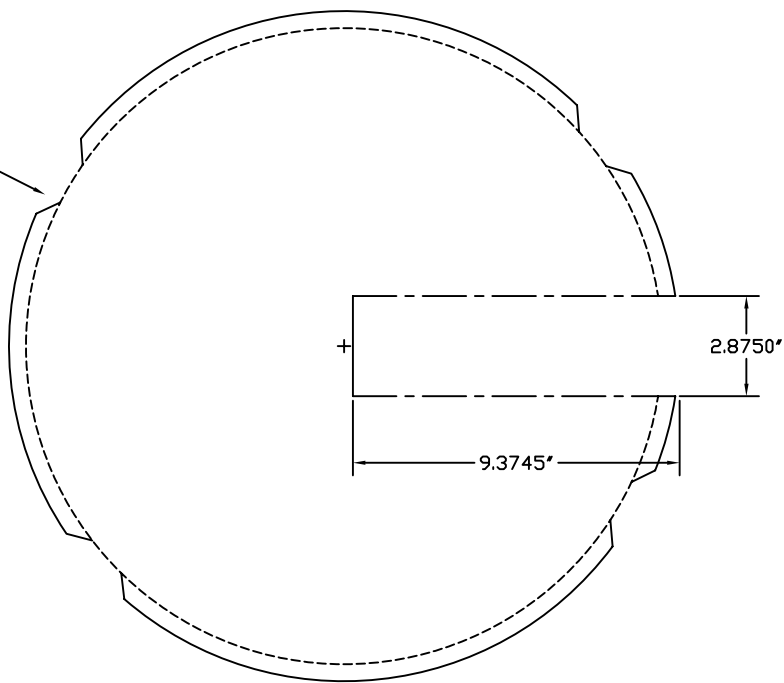
CORREGATED BASIN COVER

NOT TO SCALE

001

9/13/06

Ø19.2250'



THIS DRAWING IS THE SOLE PROPERTY OF AK INDUSTRIES INC.



AK INDUSTRIES INC.
 2055 PIDCO DR.
 PLYMOUTH, IN. 46563
 PHONE: (574) 936-6022

DRAWN BY:

M. OLIVAREZ

TOLERANCE:

± 0.125 UNLESS SPECIFIED OTHERWISE

SIGNATURE: