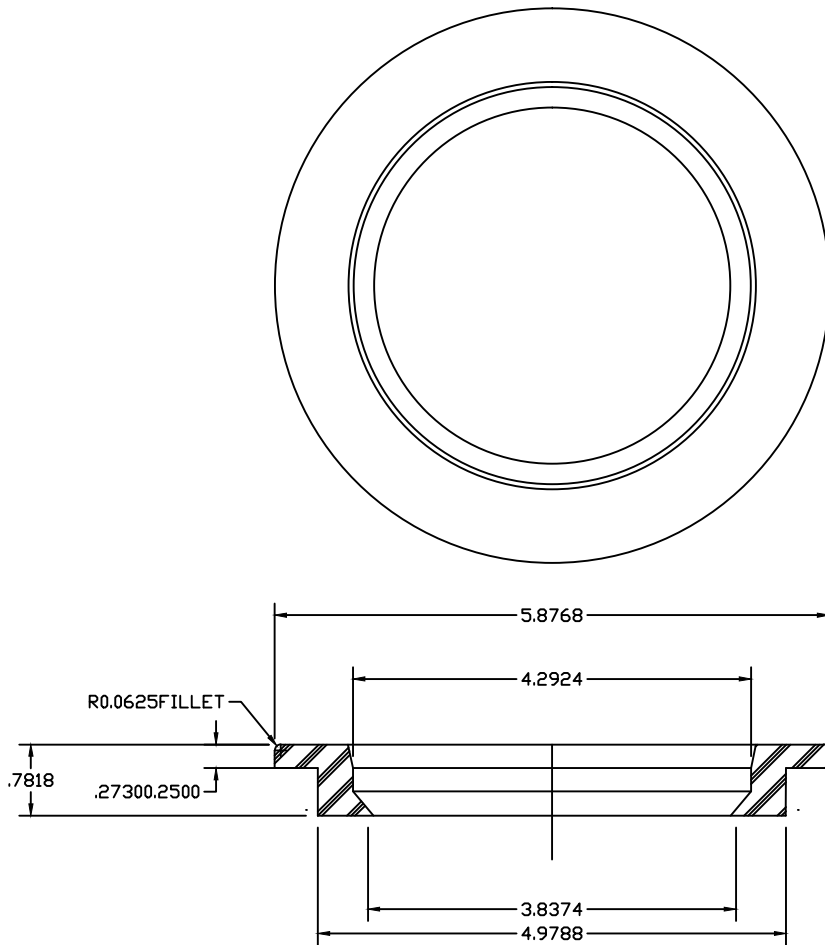


PART/PRINT NO.
GA-400AAF35

PART DESCRIPTION
ADAPTAFLEX 4" SCH35

REVISION
003

DATE
1/6/03



4" SCH35 ADAPTAFLEX

DRAWN
M. OLIVAREZ

MATERIAL
NEOPRENE

TOLERANCE
+/- .025 UNLESS SPECIFIED OTHERWISE

SIGNATURE