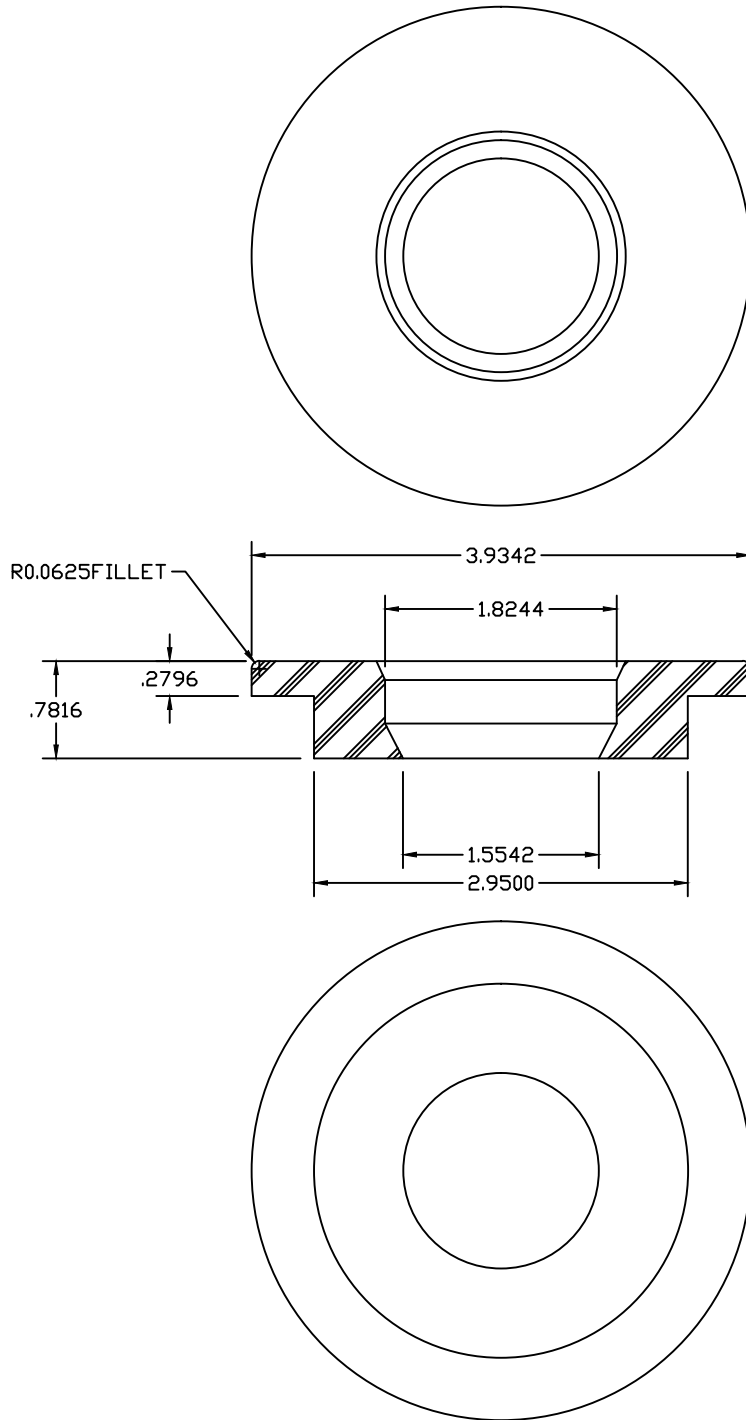


PART/PRINT NO.  
GA-150AAF OS

PART DESCRIPTION  
ADAPTAFLEX 1.5" FOR 3" HOLE

REVISION  
002

DATE  
12/27/02



1 1/2" ADAPTAFLEX OS

DRAWN  
M.OLIVAREZ

MATERIAL  
NEOPRENE

TOLERANCE  
+/- .025 UNLESS SPECIFIED OTHERWISE

SIGNATURE