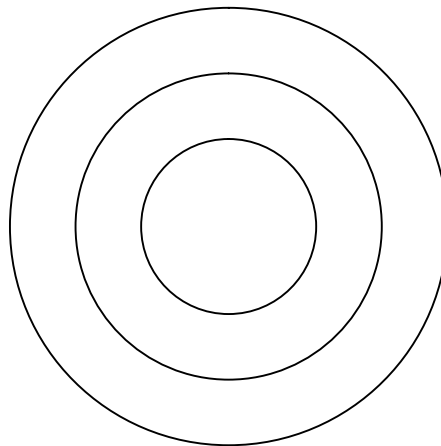
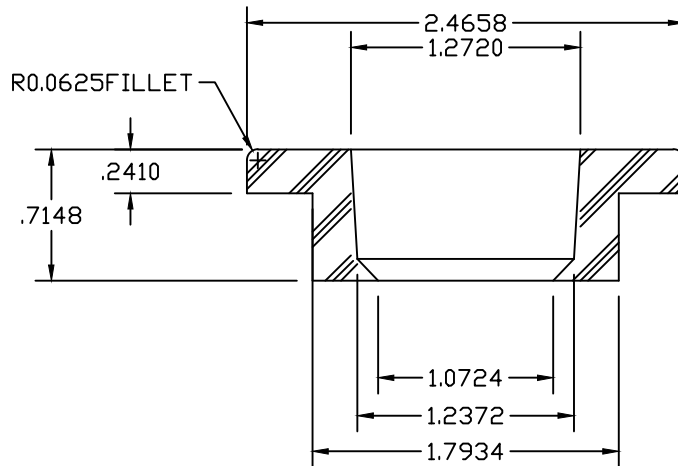
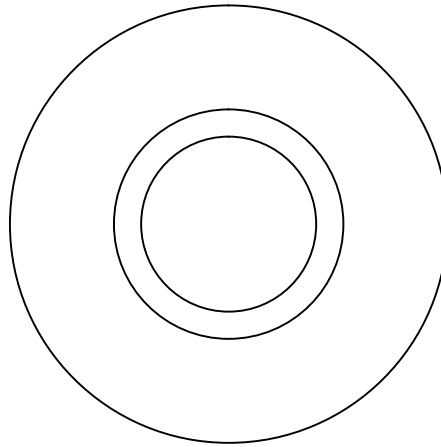


PART/PRINT NO.
GA-100AAF

PART DESCRIPTION
ADAPTAFLEX 1.00"

REVISION
002

DATE
12/27/02



1" ADAPTAFLEX

DRAWN
M.OLIVAREZ

MATERIAL
NEOPRENE

TOLERANCE
+/- .025 UNLESS SPECIFIED OTHERWISE

SIGNATURE