

PART/PRINT #:  
AKP10030

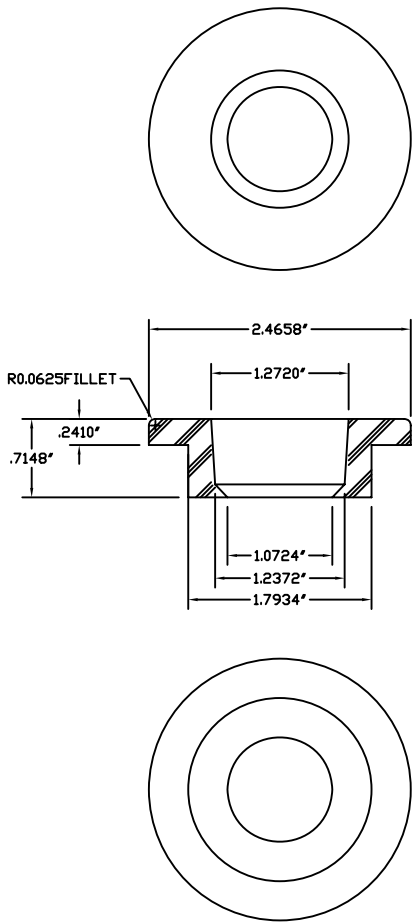
PART DESCRIPTION:  
NEOPRENE ADAPTALEX 1"

SCALE:  
NOT TO SCALE

REVISION:  
002

DATE:  
12/27/02

THIS DRAWING IS THE SOLE PROPERTY OF AK INDUSTRIES INC.



B.O.M  
AKR50000 1" ADAPTALEX



AK INDUSTRIES INC.  
2055 PIDCO DR.  
PLYMOUTH, IN. 46563  
PHONE(574) 936-6022

DRAWN BY:  
M.O.LIVAREZ

TOLERANCE:  
± 0.0250 UNLESS SPECIFIED OTHERWISE

SIGNATURE: