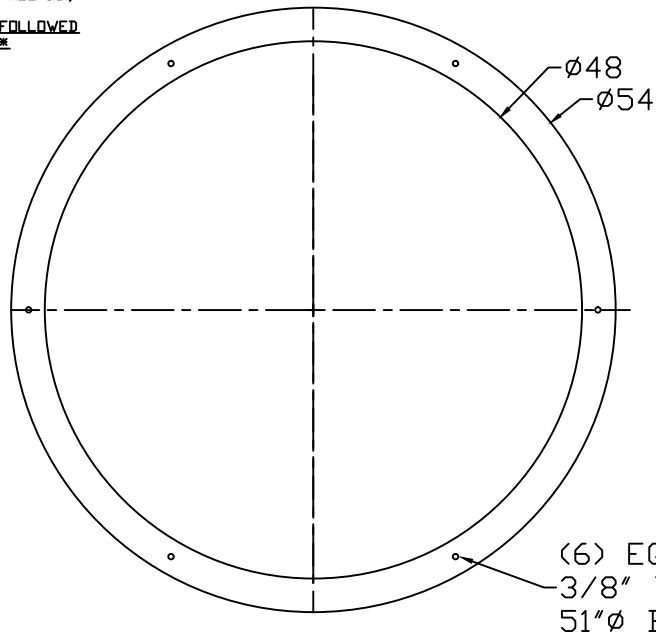
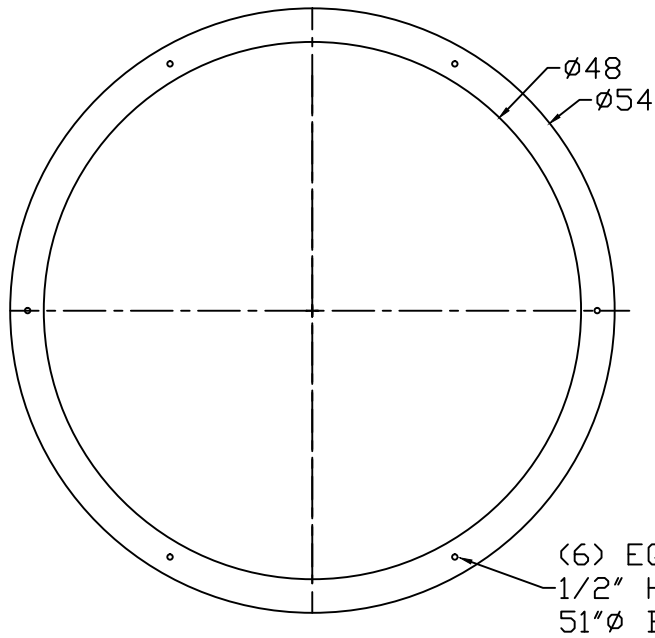
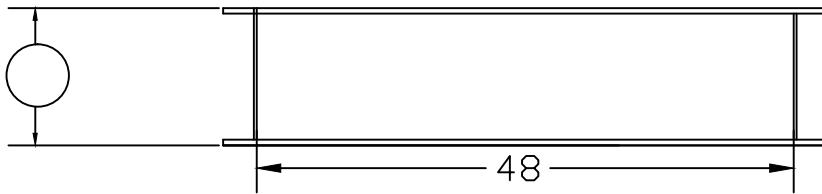


NOTE: MEASUREMENTS OF BASINS ARE ALL I.D.,
 IF NOT OTHERWISE SPECIFIED
 ***BACKFILL INSTRUCTIONS TO BE FOLLOWED
 FOR AK IND. TO WARRANTY BASIN***



Text



TO CUSTOMER:
 EXAMINE THIS DRAWING CAREFULLY. VERIFY ALL DIMENSIONS, LOCATIONS, AND ELEVATIONS FOR ACCURACY. SIGN AND DATE AT LINE. ANY MODIFICATIONS OR CHANGES TO THIS DRAWING OR FINISHED PRODUCT, AFTER IT HAS BEEN SIGNED, MAY RESULT IN ADDITIONAL CHARGES AND SHIPPING DELAYS. NO JOB WILL BE STARTED UNTIL CONFIRMATION THROUGH SIGNATURE.

(REQUESTED SIGNATURE & DATE PER ABOVE)

CONFIRMATION THROUGH SIGNATURE RELEASES ORDER FOR PRODUCTION

DRAWN FOR:

PO# ---

DISCONNECTS: ---

SHEET 1 OF 1

Revision 0

QUOTE # ---

PUMPS: ---

"THE BEST AROUND UNDERGROUND"

JOB REFERENCE / Notes:

BASIN DESCRIPTION:
 48" DIAMETER EXT.

DRAWN BY: B.SNYDER DATE: 8/27/10



COVER DESCRIPTION:

CHECKED BY:

DATE CHECKED:

PH: (574)-936-6022 FX: (574)-936-5811
 WWW.AKINDUSTRIES.COM