

# FLOAT SWITCH – CONTROL DUTY

## 2900 MERCURY SERIES – NARROW ANGLE FLOAT SWITCH

### GENERAL

DESIGNED FOR ACCURATE LIQUID LEVEL CONTROL IN MANY APPLICATIONS INCLUDING SEWAGE ENVIRONMENTS. THE FLOAT SWITCH CAN BE UTILIZED TO SIGNIFY SPECIFIC WATER LEVELS OR FOR DIRECT ALARM ACTUATION.

### SWITCH VARIATIONS

#### NORMALLY OPEN (N/O)

THE CONTACTS ARE OPEN (OR OFF) IN THE HANGING POSITION. AS THE FLOAT RISES 1" (5°) ABOVE HORIZONTAL, THE CONTACTS BECOME CLOSED AND ACTUATE (TURN ON) THE SWITCH. THIS FLOAT IS GENERALLY USED IN PUMP DOWN APPLICATIONS.

#### NORMALLY CLOSED (N/C)

THE CONTACTS ARE CLOSED (OR ON) IN THE HANGING POSITION. AS THE FLOAT RISES 1" (5°) ABOVE HORIZONTAL, THE CONTACTS BECOME OPEN AND ACTUATE (TURN OFF) THE SWITCH. THIS FLOAT IS GENERALLY USED IN PUMP UP APPLICATIONS.

#### SINGLE POLE, DOUBLE THROW (SPDT)

A VARIATION OF THE PREVIOUSLY LISTED SWITCHES. THIS FLOAT SWITCH CAN BE WIRED TO OPERATE AS EITHER (BUT NOT BOTH) A NORMALLY OPEN OR NORMALLY CLOSED SWITCH BASED ON THE USER'S NEED.

### SWITCH SPECIFICATIONS

2900 SERIES MERCURY FLOAT SWITCHES ARE DESIGNED TO OPERATE UNDER THE FOLLOWING PARAMETERS.

MINIMUM OPERATING TEMPERATURE	-	32 DEGREES F.
MAXIMUM OPERATING TEMPERATURE	-	170 DEGREES F.
ELECTRICAL RATING	-	10 AMP – 120 VAC, 3 AMP – 240 VAC
ACTUATION POINT	-	1" ABOVE / BELOW HORIZONTAL.

### POWER CORD SPECIFICATIONS

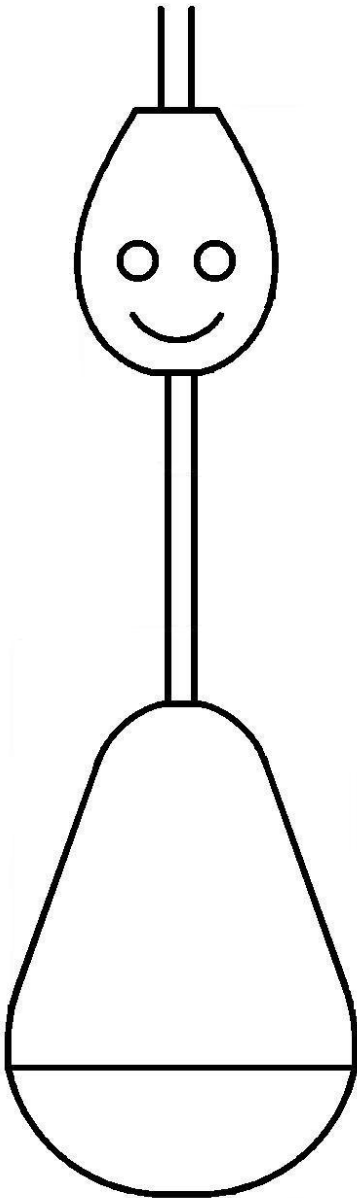
CONDUCTOR CORD – PHYSICAL	-	CHLORINATED POLY ETHYLENE.
ELECTRICAL FOR N/O OR N/C SWITCH	-	18 AWG 2, TYPE SJOOW-300 VOLT.
ELECTRICAL FOR SPDT SWITCH	-	18 AWG 3, TYPE SJOOW-300 VOLT.

### FLOAT SPECIFICATIONS

DURABLE POLYPROPYLENE MATERIAL CONSTRUCTION.  
SOLID POLYURETHANE FOAM INTERIOR.  
LEAK PROOF, SHOCK PROOF, AND IMPACT RESISTANT.  
RESISTANT TO SEWAGE AND WASTEWATER APPLICATIONS.  
FOR USE WITH INTRINSICALLY SAFE CIRCUITS.

### CORD WEIGHT

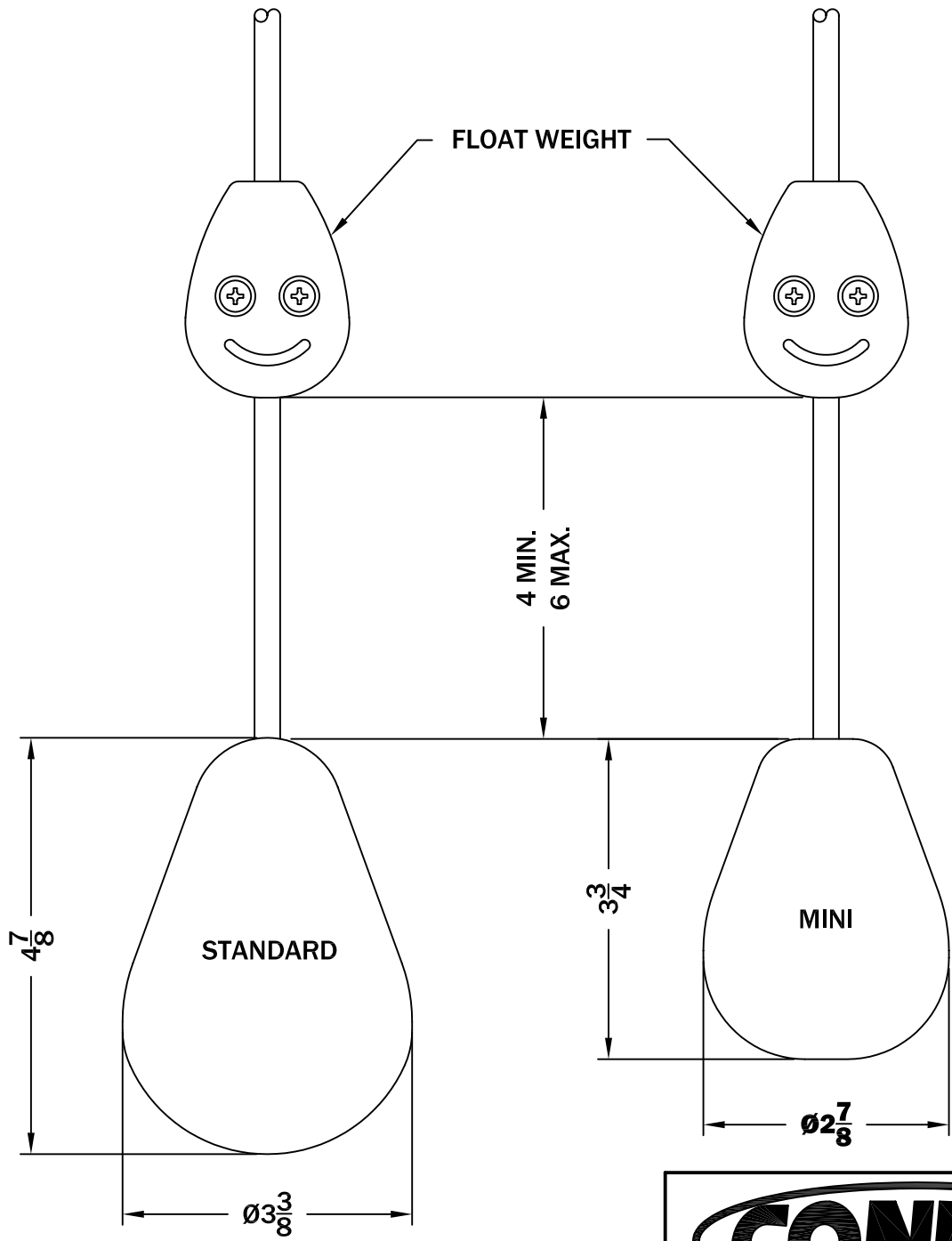
ZINC PLATED CAST IRON – 1.22 LBS.  
SPLIT WEIGHT DESIGN ALLOWS FOR EASY ADJUSTMENT.  
DESIGN ALLOWS FOR SECURE AND PERMANENT ATTACHMENT TO CORD.



CONERY MFG INC  
info@conerymfg.com

1380 ENTERPRISE PARKWAY  
PH (419) 289-1444

ASHLAND, OH 44805  
FAX (419) 281-0366



ALL INFORMATION CONTAINED IN THIS DRAWING IS CONFIDENTIAL AND PROPRIETARY TO CONERY MFG, INC.



CHANGES		TOLERANCES		DRAWN BY		DATE		SPECIFICATION SHEET MERCURY FLOAT			
F		DECIMALS .XXX = ±.005 .XX = ±.010		D. MIDDLETON		03/18/04					
E		FRACTIONAL X/X = ±.1/64		MATERIAL SPECIFICATION:  NARROW ANGLE FLOAT SWITCH				SCALE: PART NO.			
D		ANGLES X° = ±1/2°						HALF		2900 SERIES B1,B2	
C											
B											
A											

NOTE: ALL ELECTRICAL DIAGRAMS SHOWN ARE EXAMPLES ONLY,  
 CONSULT WITH LOCAL ELECTRICAL AUTHORITIES AND CODES.  
 DO NOT USE THESE PRODUCTS IN GASOLINE, VOLATILES,  
 OTHER COMBUSTIBLES.

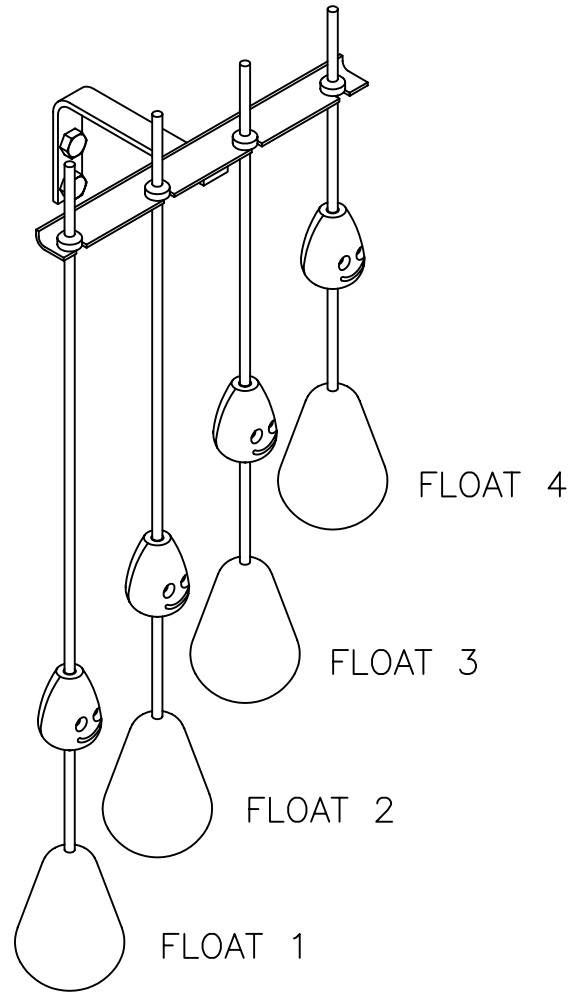
2900 SERIES B1, B2

PAGE  
2

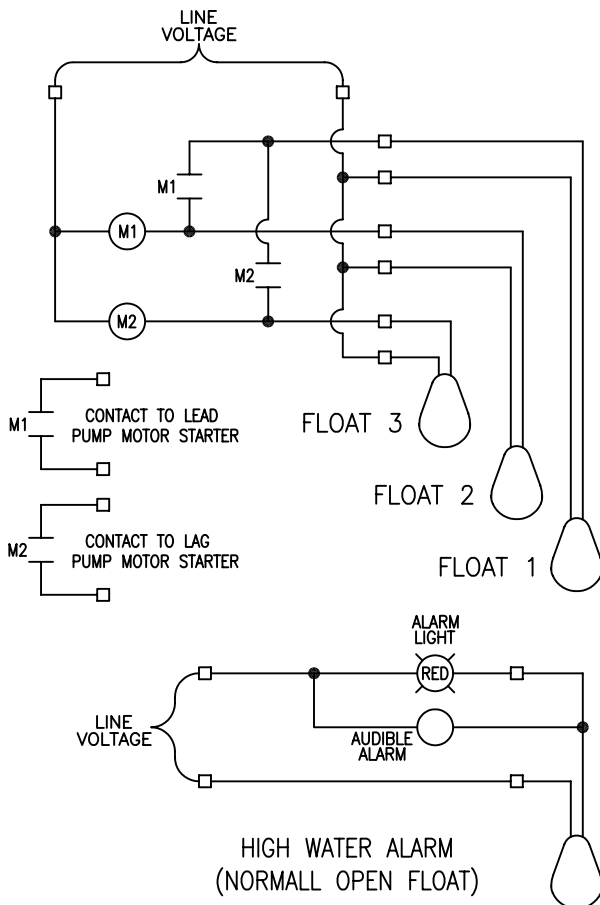
FOR PUMP DOWN USE  
 (NORMALLY OPEN FLOATS)  
 FOR PUMP UP USE  
 (NORMALLY CLOSED FLOATS)  
 FOR SPDT FLOATS  
 GREEN - N/O  
 WHITE - COMMON  
 BLACK - N/C



TYPICAL MOUNTING



TYPICAL 2 PUMP USES



ALL INFORMATION CONTAINED IN THIS DRAWING IS  
 CONFIDENTIAL AND PROPRIETARY TO CONERY MFG, INC.



CHANGES	TOLERANCES	DRAWN BY	DATE
F	DECIMALS	D. MIDDLETON	03/18/04
E	.XXX = ±.005	MATERIAL SPECIFICATION:  NARROW ANGLE FLOAT SWITCH	
D	.XX = ±.010		
C	FRACTIONAL		
B	X/X = ±.1/64		
A	ANGLES		
	X' = ±1/2'		

SPECIFICATION SHEET  
 MERCURY FLOAT

SCALE: PART NO.  
 NONE 2900 SERIES B1,B2