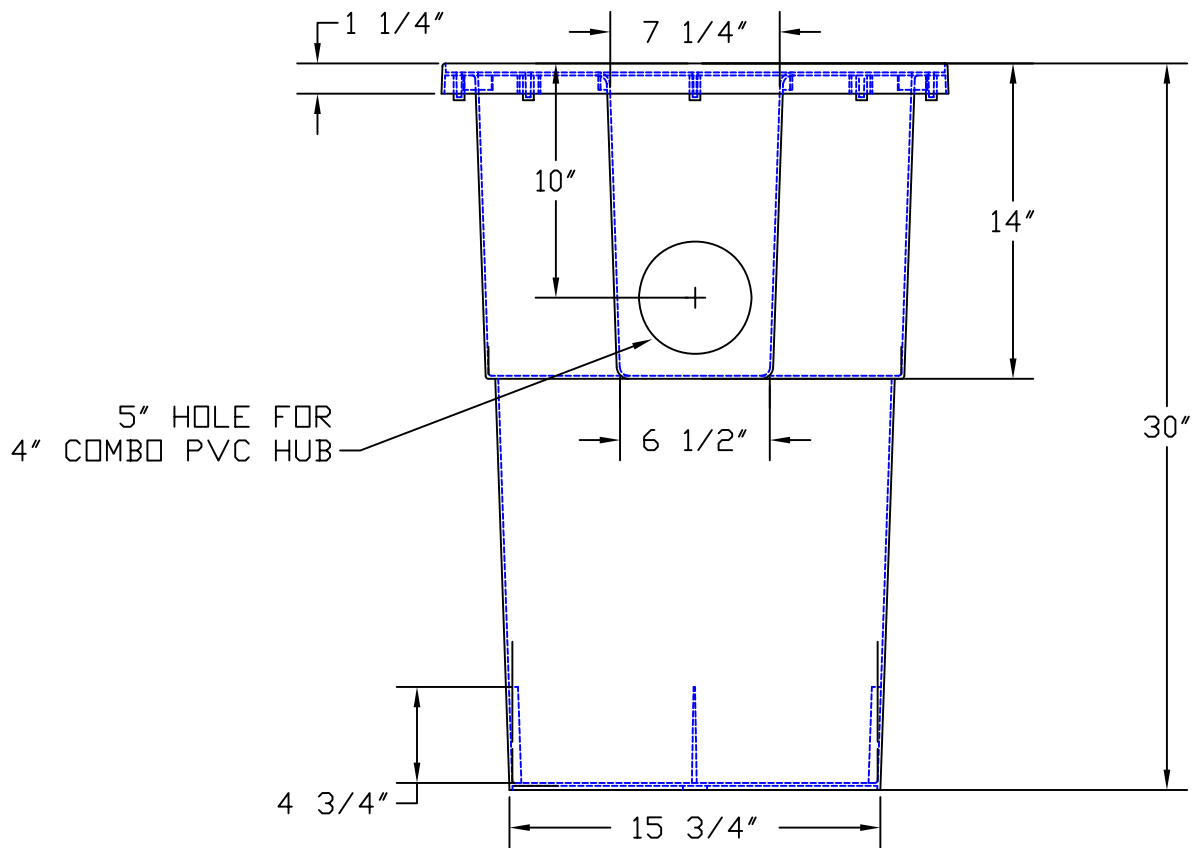
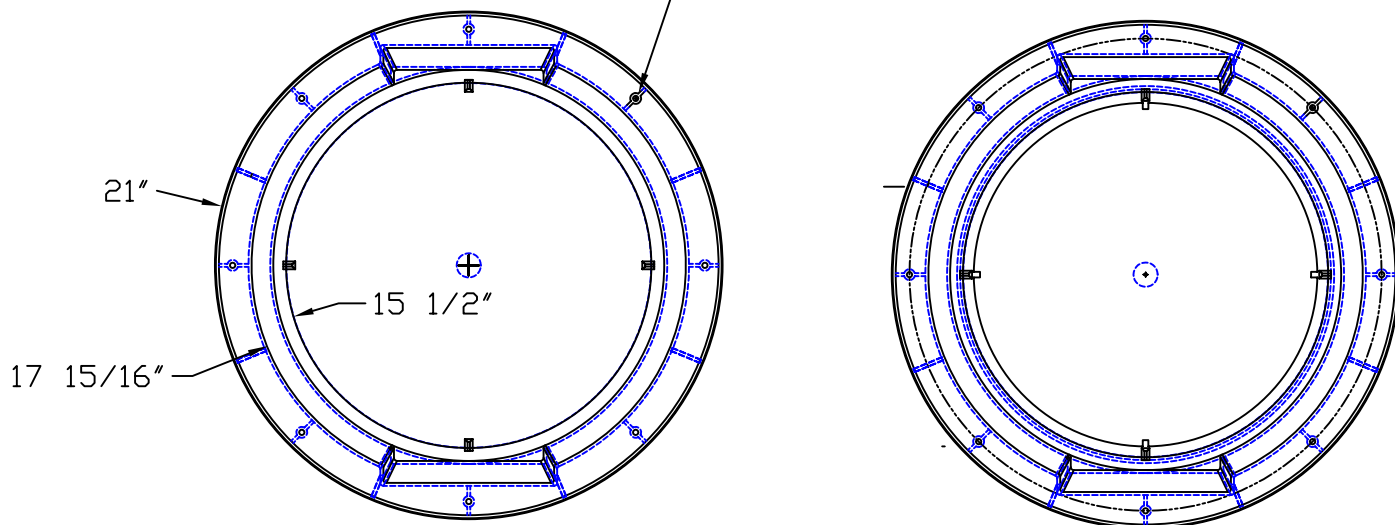


PART/PRINT #:	PART DESCRIPTION:	SCALE:	REVISION:	DATE:
AKP38070	POLYPRO BASIN 18X30 (1) 4" PVC COMBO (LOOSE)	NOT TO SCALE	002	9/2/03

(8) 3/16" PILOT HOLES ARE SET ON A 19 1/2" DIAMETER



THIS DRAWING IS THE SOLE PROPERTY OF AK INDUSTRIES INC.

B.O.M

AKR10035 PRO 18X30

AKP10186 4" PVC COMBO HUB ASSEMBLY



AK INDUSTRIES INC.
2055 PIDCO DR.
PLYMOUTH, IN. 46563
PHONE: (574) 936-6022

DRAWN BY:
M.O LIVAREZ

TOLERANCE:
± 0.0312 UNLESS SPECIFIED OTHERWISE

SIGNATURE: