

PART/PRINT #: AKP38055

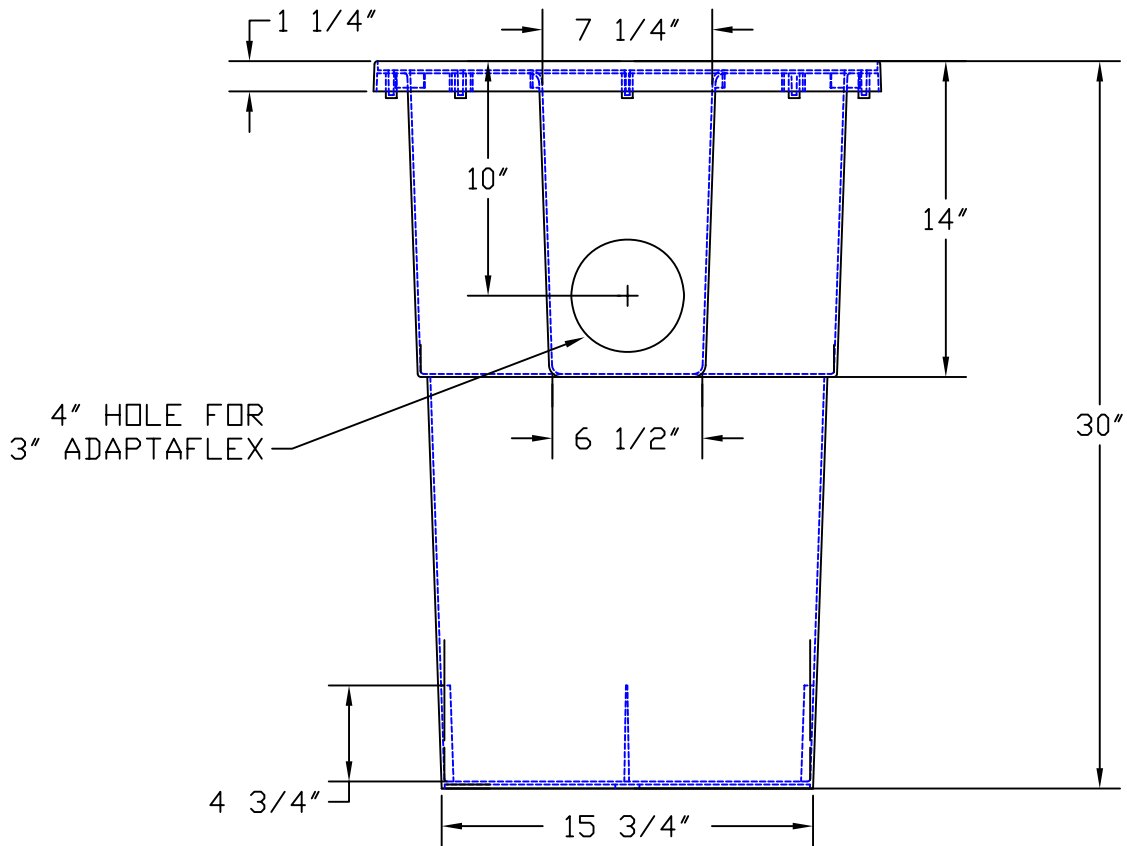
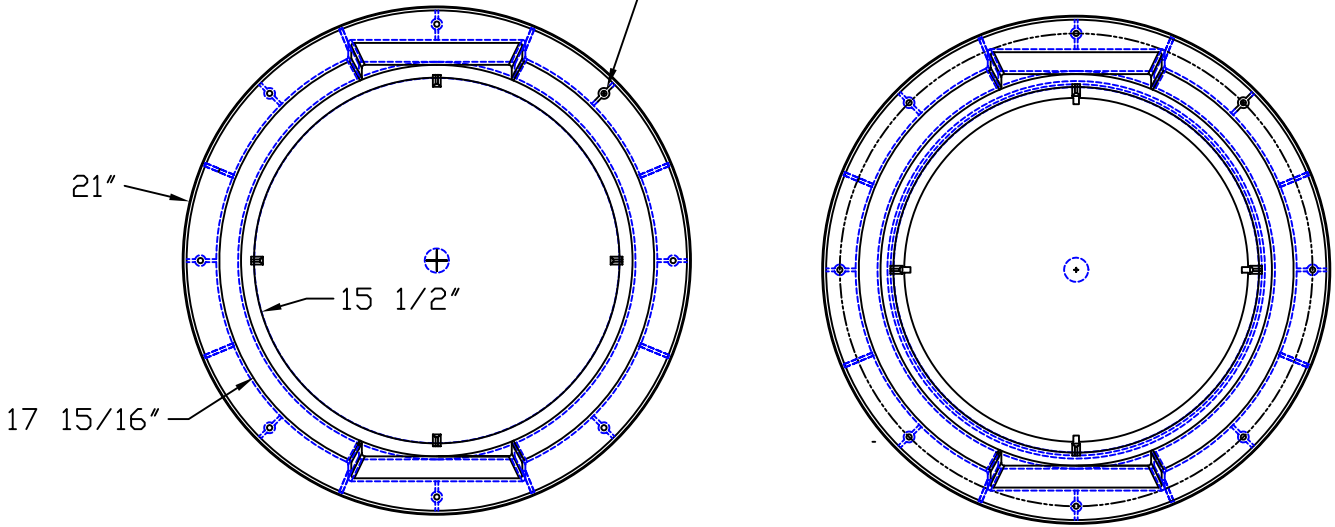
PART DESCRIPTION: POLYPRO BASIN 18X30 (1) 3" AAF (LOOSE)

SCALE: NOT TO SCALE

REVISION: 002

DATE: 9/2/03

(8) 3/16" PILOT HOLES ARE SET ON A 19 1/2" DIAMETER



4" HOLE FOR 3" ADAPTAFLEX

THIS DRAWING IS THE SOLE PROPERTY OF AK INDUSTRIES INC.

B.O.M
AKR100035 PRO 18X30
AKP10080 3" ADAPTAFLEX



AK INDUSTRIES INC.
2055 PIDCO DR.
PLYMOUTH, IN. 46563
PHONE: (574) 936-6022

DRAWN BY: M. OLIVAREZ

TOLERANCE: ± 0.0312 UNLESS SPECIFIED OTHERWISE

SIGNATURE: