

PART/PRINT #: AKP38035

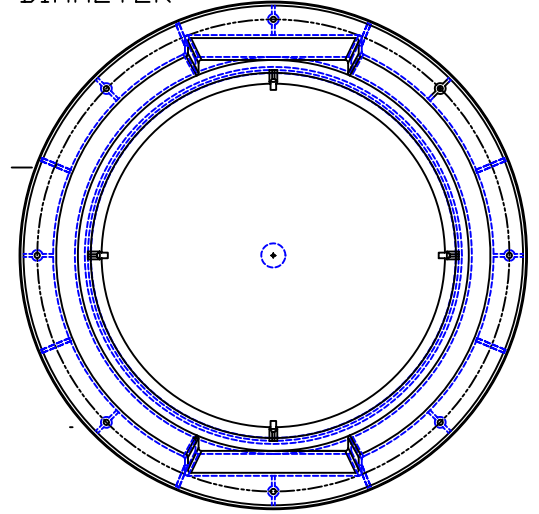
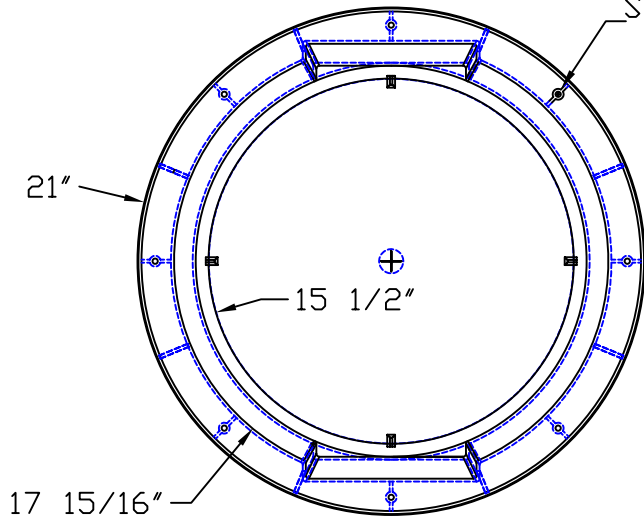
PART DESCRIPTION: POLYPRO BASIN 18X30 (2) 4" PVC INLETS (LOOSE)

SCALE: NOT TO SCALE

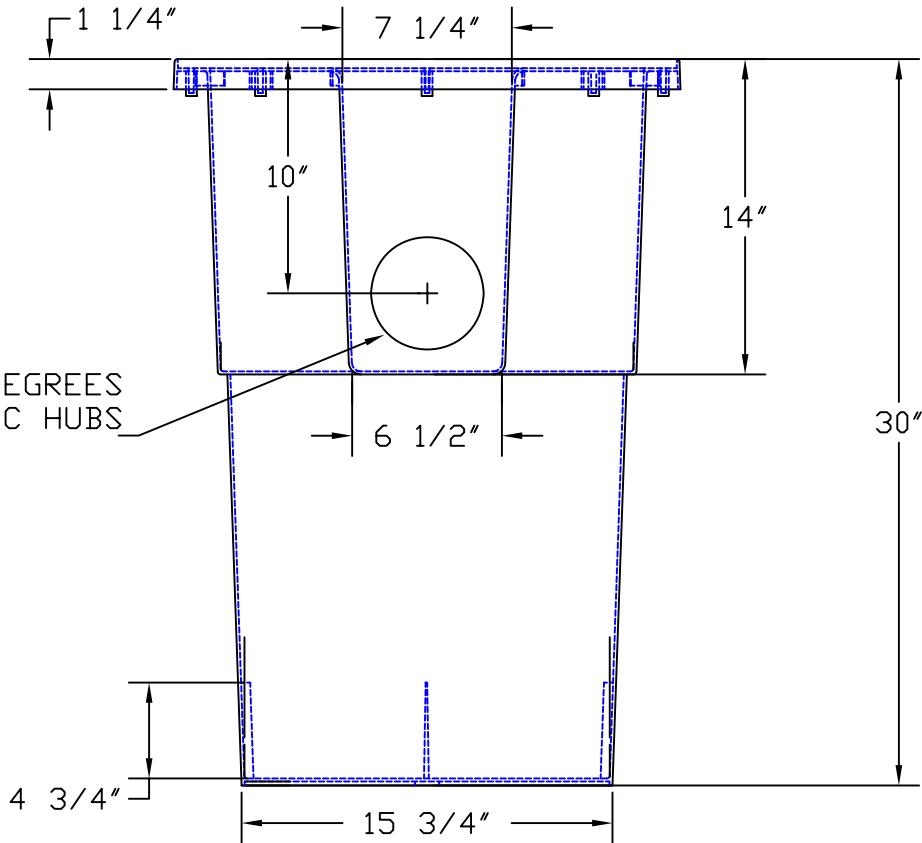
REVISION: 002

DATE: 9/2/03

(8) 3/16" PILOT HOLES ARE SET ON A 19 1/2" DIAMETER



THIS DRAWING IS THE SOLE PROPERTY OF AK INDUSTRIES INC.



(2) 5" HOLES 180 DEGREES FOR (2) 4" PVC HUBS

B.O.M

AKR100035 PRO 18X30

AKP10185 (2) 4" PVC HUB ASSEMBLY



AK INDUSTRIES INC.
2055 PIDCO DR.
PLYMOUTH, IN. 46563
PHONE: (574) 936-6022

DRAWN BY: M. OLIVAREZ

TOLERANCE: ± 0.0312 UNLESS SPECIFIED OTHERWISE

SIGNATURE: