

PART/PRINT #:

PART DESCRIPTION:

SCALE:

REVISION:

DATE:

AKP38030

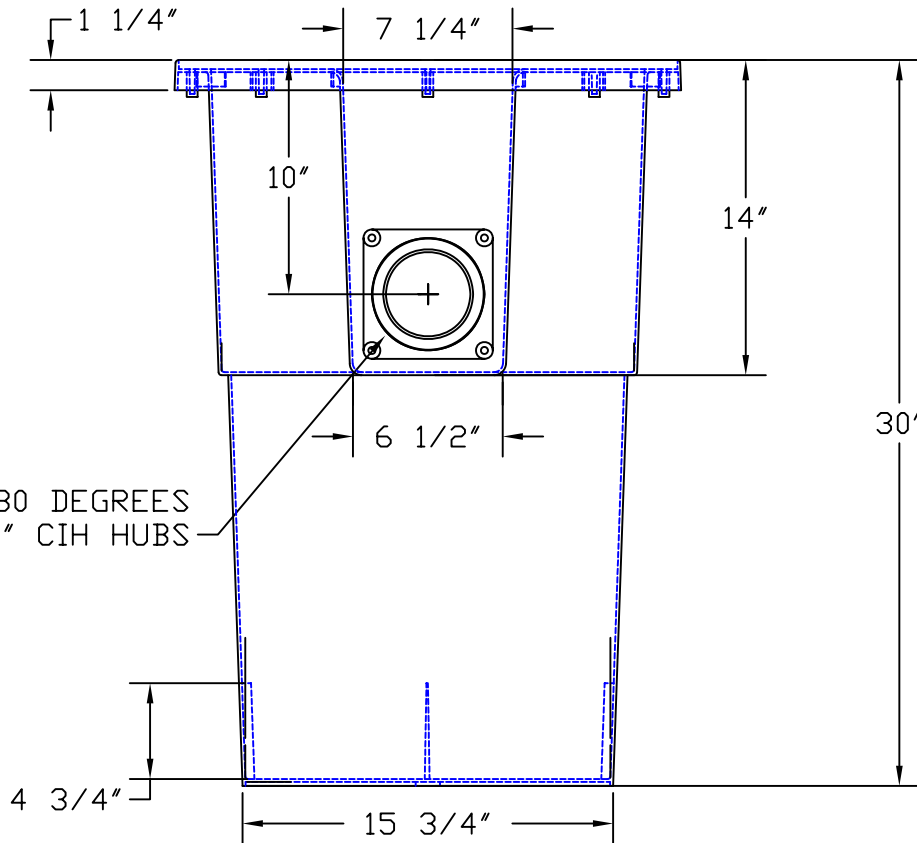
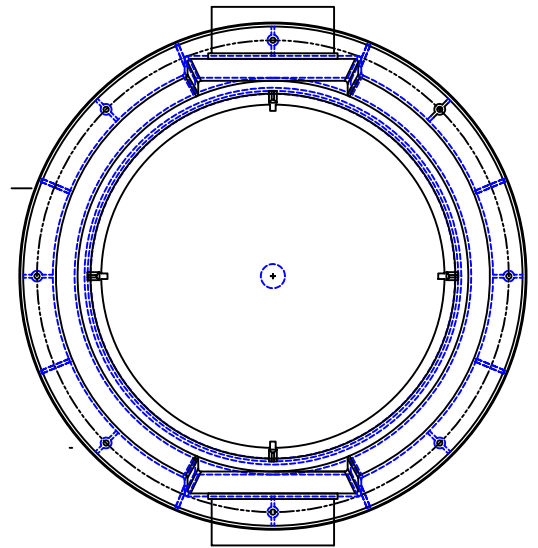
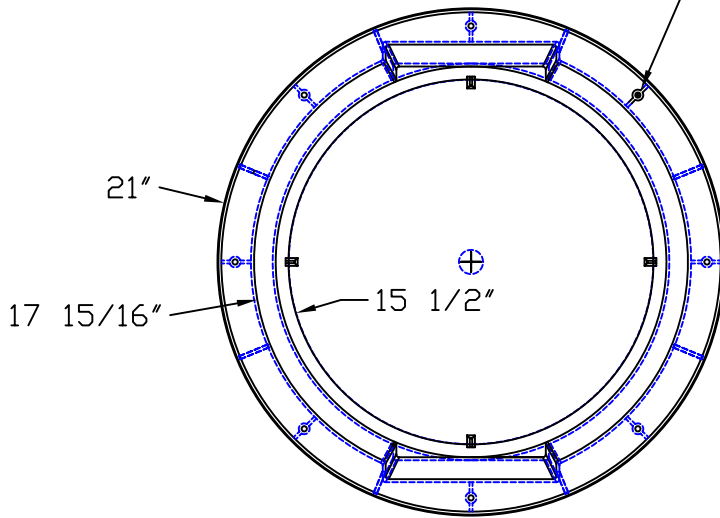
POLYPRO BASIN 18X30 (2) 4" CAST IRON HUBS

NOT TO SCALE

002

9/2/03

(8) 3/16" PILOT HOLES ARE SET ON A 19 1/2" DIAMETER



(2) 4" HOLE 180 DEGREES APART FOR (2) 4" CIH HUBS

THIS DRAWING IS THE SOLE PROPERTY OF AK INDUSTRIES INC.

**B.O.M**

**AKR100035 PRO 18X30**

**AKP10180 (2) CAST IRON HUB FLAT 4"**

**AKR100030 BOTTOM FOOT PLATE**



AK INDUSTRIES INC.  
 2055 PIDCO DR.  
 PLYMOUTH, IN. 46563  
 PHONE: (574) 936-6022

DRAWN BY:

M. OLIVAREZ

TOLERANCE:

± 0.0312 UNLESS SPECIFIED OTHERWISE

SIGNATURE: