

PART/PRINT #:

PART DESCRIPTION:

SCALE:

REVISION:

DATE:

AKP38025

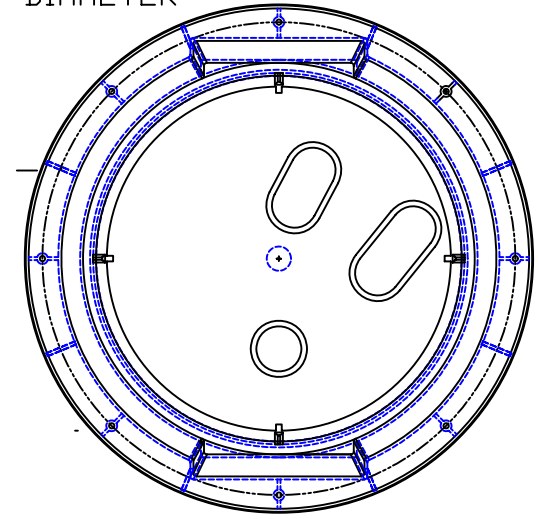
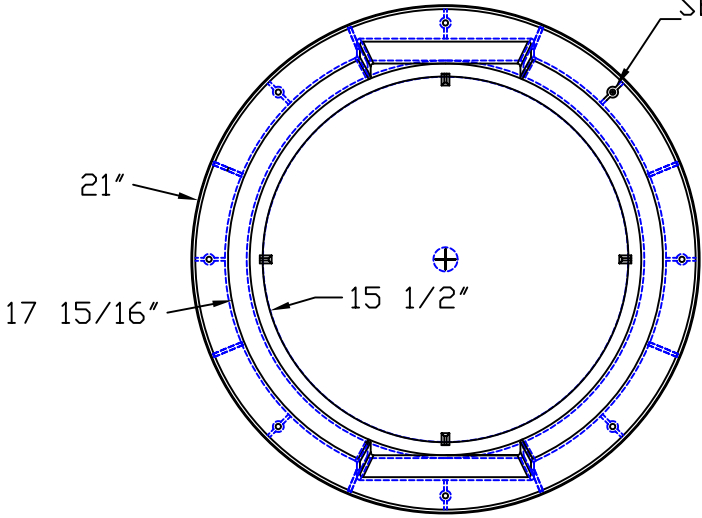
POLYPRO BASIN 18X30 W/FEET (1) 4" PVC INLET (LOOSE)

NOT TO SCALE

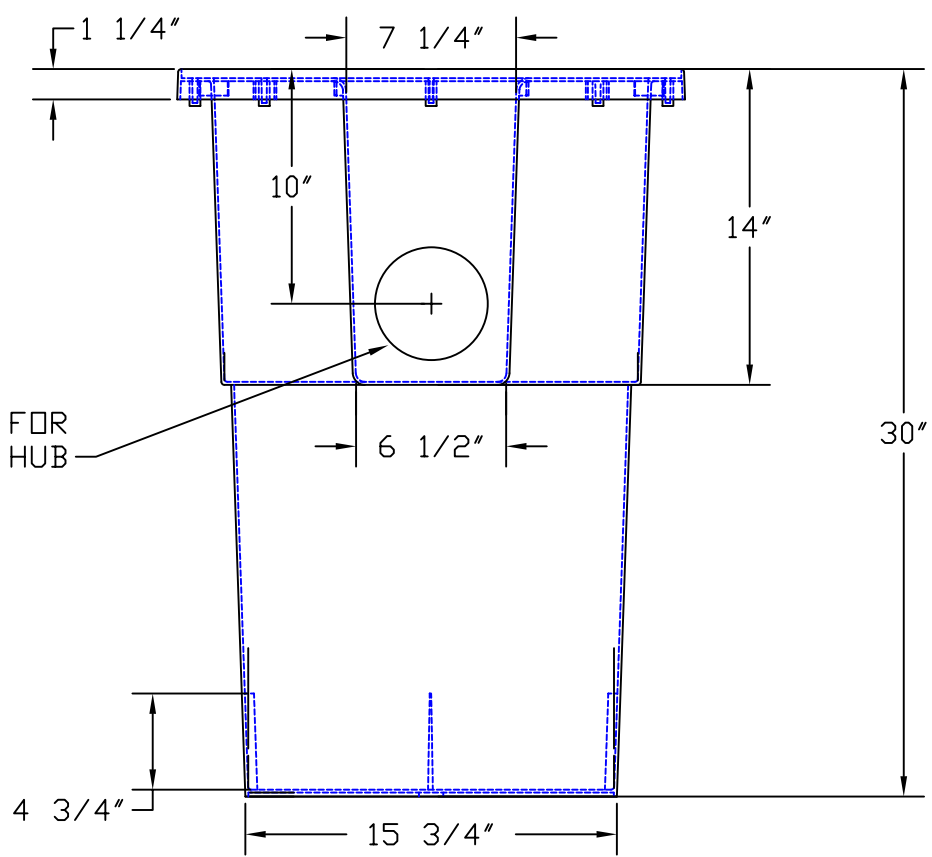
002

9/2/03

(8) 3/16" PILOT HOLES ARE SET ON A 19 1/2" DIAMETER



THIS DRAWING IS THE SOLE PROPERTY OF AK INDUSTRIES INC.



5" HOLE FOR 4" PVC HUB

B.O.M
AKR100035 PRO 18X30
AKP10185 4" PVC HUB ASSEMBLY



AK INDUSTRIES INC.
 2055 PIDCO DR.
 PLYMOUTH, IN. 46563
 PHONE: (574) 936-6022

DRAWN BY:
 M. OLIVAREZ

TOLERANCE:
 ± 0.0312 UNLESS SPECIFIED OTHERWISE

SIGNATURE: