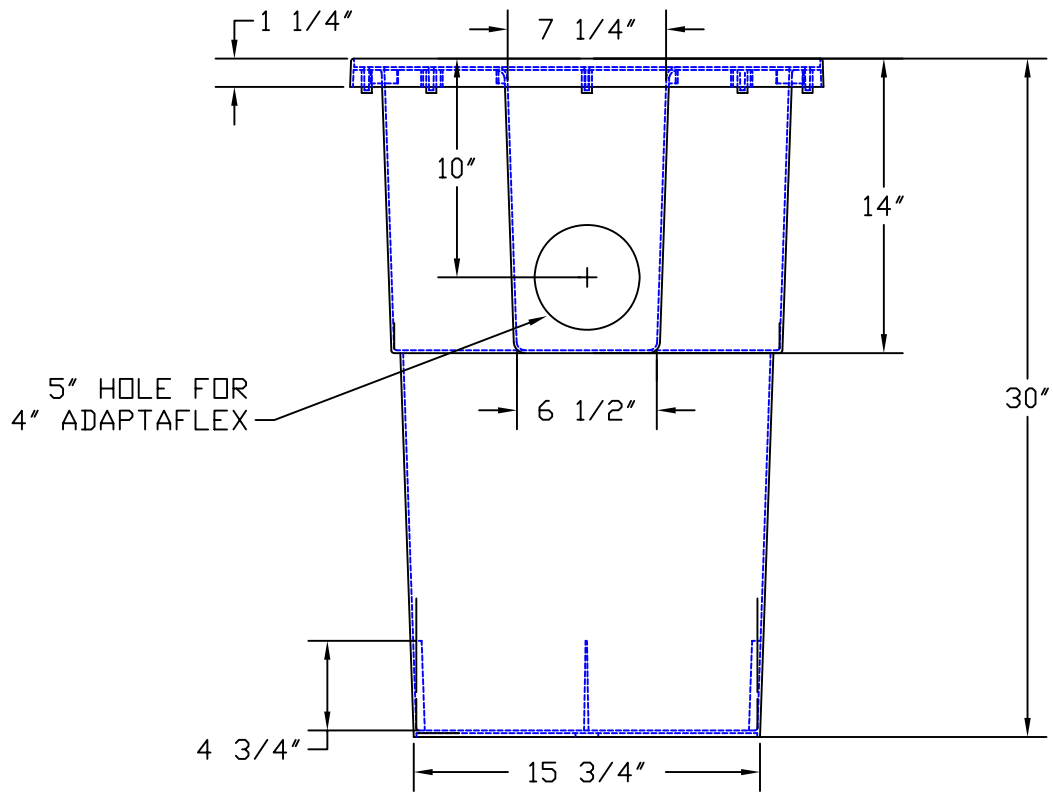
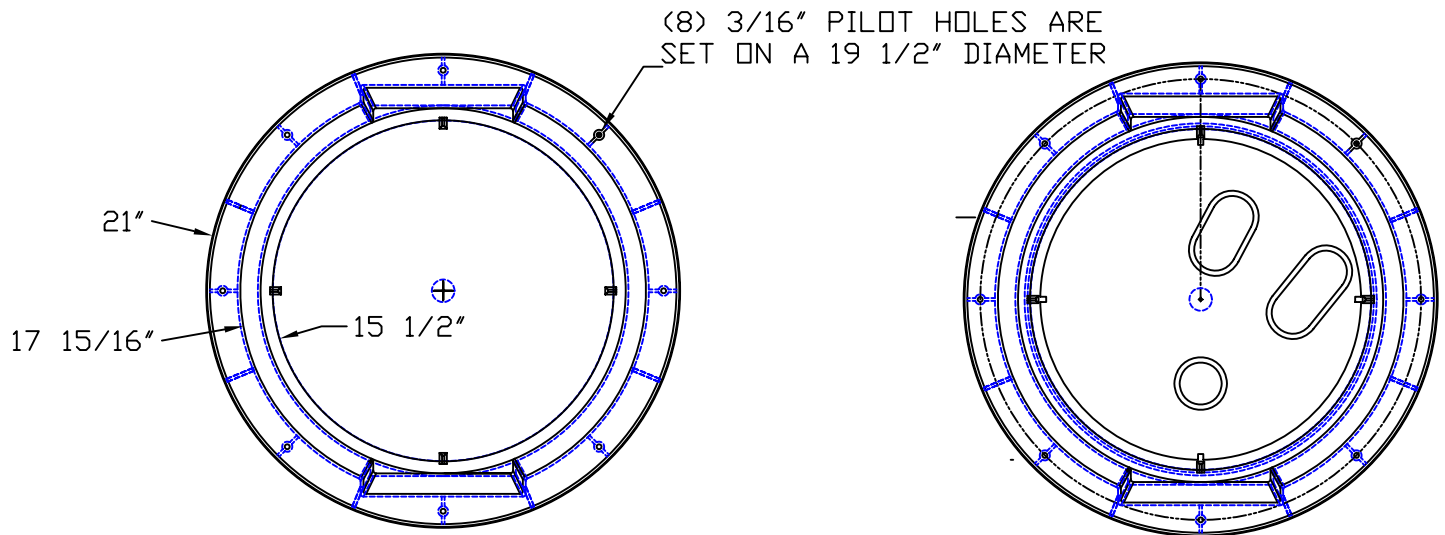


|               |  |              |           |        |
|---------------|--|--------------|-----------|--------|
| PART/PRINT #: | PART DESCRIPTION:                            | SCALE:       | REVISION: | DATE:  |
| AKP38015      | POLYPRO BASIN18X30 W/FEET (1) 4" AAF (LOOSE) | NOT TO SCALE | 002       | 9/2/03 |

THIS DRAWING IS THE SOLE PROPERTY OF AK INDUSTRIES INC.



**B.O.M**  
**AKR100035 PRO 18X30**  
**AKP10111 4" CSH 40 ADAPTA FLEX W/RETAINING RING**  
**AKR100030 BOTTOM FOOT PLATE**



AK INDUSTRIES INC.  
 2055 PIDCO DR.  
 PLYMOUTH, IN. 46563  
 PHONE:(574) 936-6022

DRAWN BY:  
 M.O LIVAREZ

TOLERANCE:  
 ± 0.0312 UNLESS SPECIFIED OTHERWISE

SIGNATURE: