

PART/PRINT #: AKP38010

PART DESCRIPTION: POLYPRO BASIN 18X30 W/ FEET (1) 3" AAF (LOOSE)

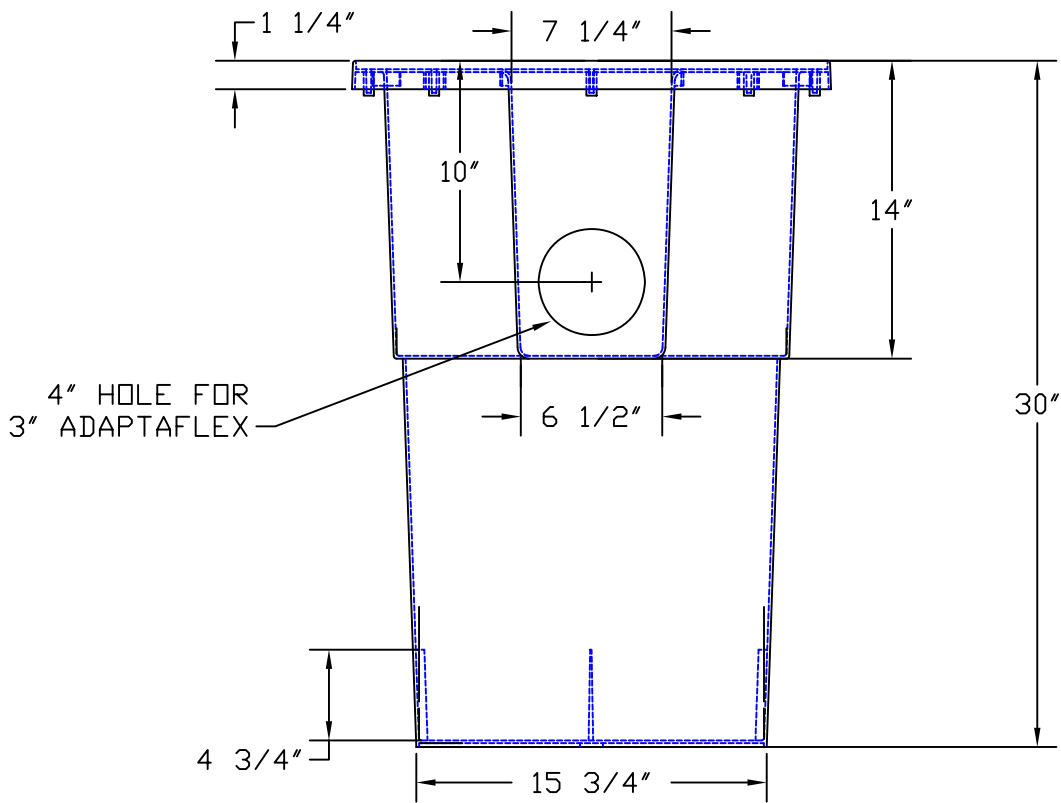
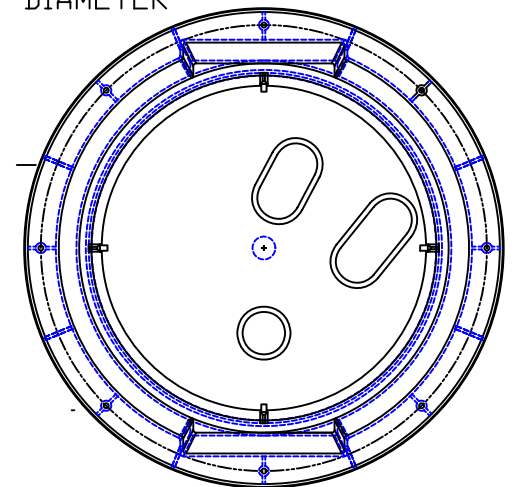
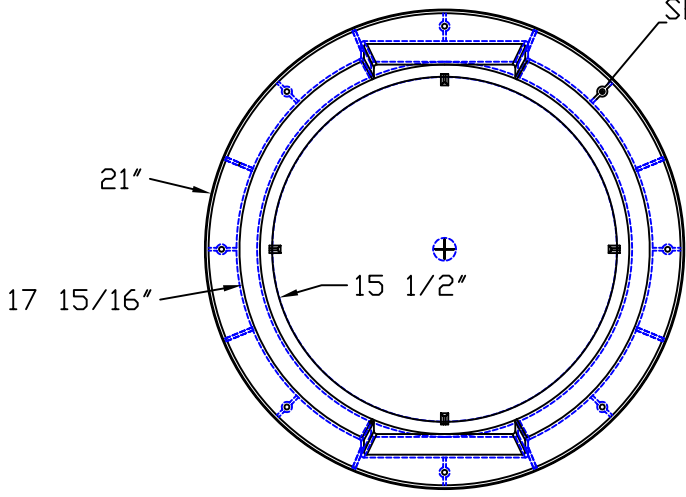
SCALE: NOT TO SCALE

REVISION: 002

DATE: 9/2/03

THIS DRAWING IS THE SOLE PROPERTY OF AK INDUSTRIES INC.

(8) 3/16" PILOT HOLES ARE SET ON A 19 1/2" DIAMETER



**B.O.M**  
**AKR10035 PRO 18X30**  
**AKP10080 3" ADAPTAFLEX**  
**AKR10030 BOTTOM FOOT PLATE**



AK INDUSTRIES INC.  
 2055 PIDCO DR.  
 PLYMOUTH, IN. 46563  
 PHONE: (574) 936-6022

DRAWN BY: M.Olivarez

TOLERANCE: ± 0.0312 UNLESS SPECIFIED OTHERWISE

SIGNATURE: