

PART/PRINT #:

AKP38005

PART DESCRIPTION:

POLYPRO BASIN 18X30 WITH FEET

SCALE:

NOT TO SCALE

REVISION:

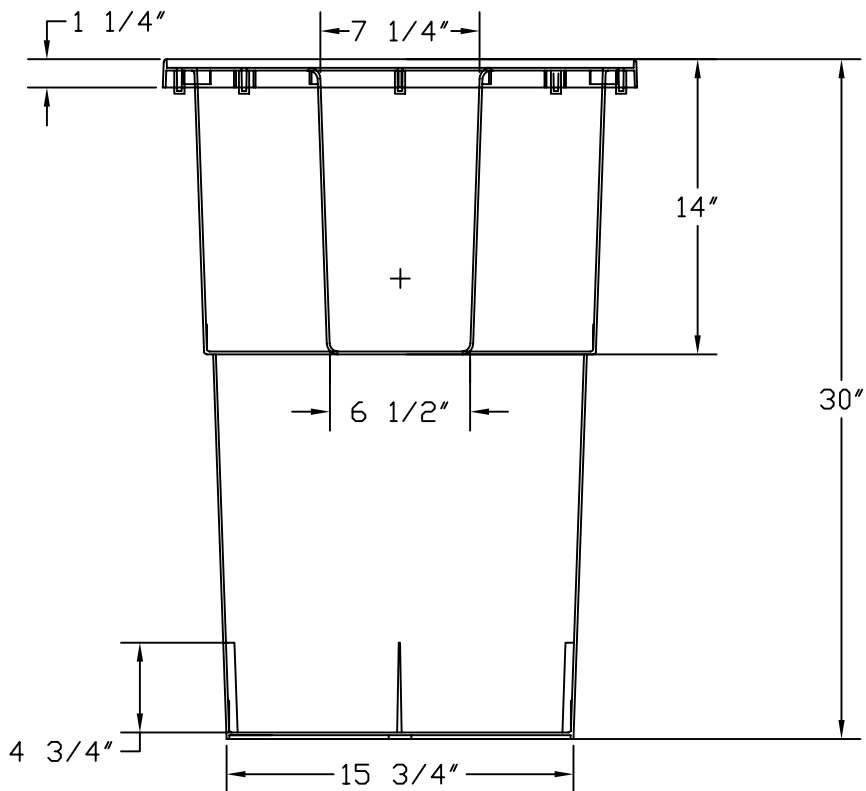
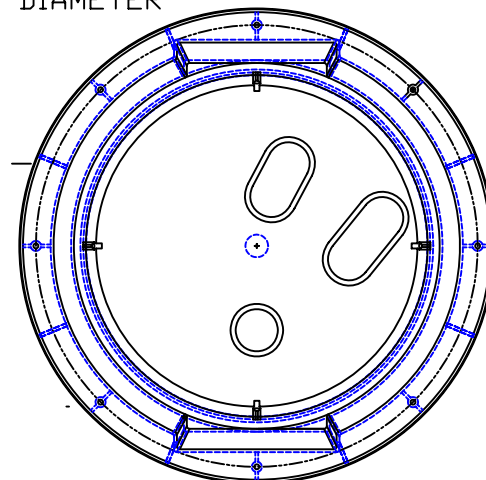
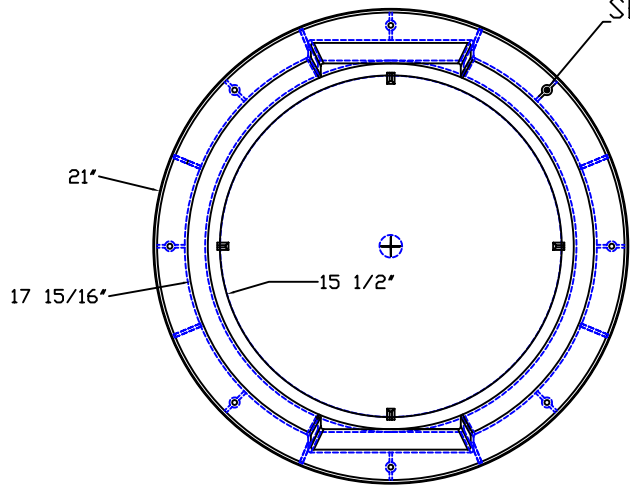
001

DATE:

8/29/03

THIS DRAWING IS THE SOLE PROPERTY OF AK INDUSTRIES INC.

(8) 3/16" PILOT HOLES ARE SET ON A 19 1/2" DIAMETER



B.O.M

AKR100035 PRO 18X30

AKR100030 BOTTOM FOOT PLATE



AK INDUSTRIES INC.
 2055 PIDCO DR.
 PLYMOUTH, IN. 46563
 PHONE: (574) 936-6022

DRAWN BY:
 M. OLIVAREZ

TOLERANCE:
 ± 0.0312 UNLESS SPECIFIED OTHERWISE

SIGNATURE: