

PART/PRINT #:

PART DESCRIPTION:

SCALE:

REVISION:

DATE:

AKP35080

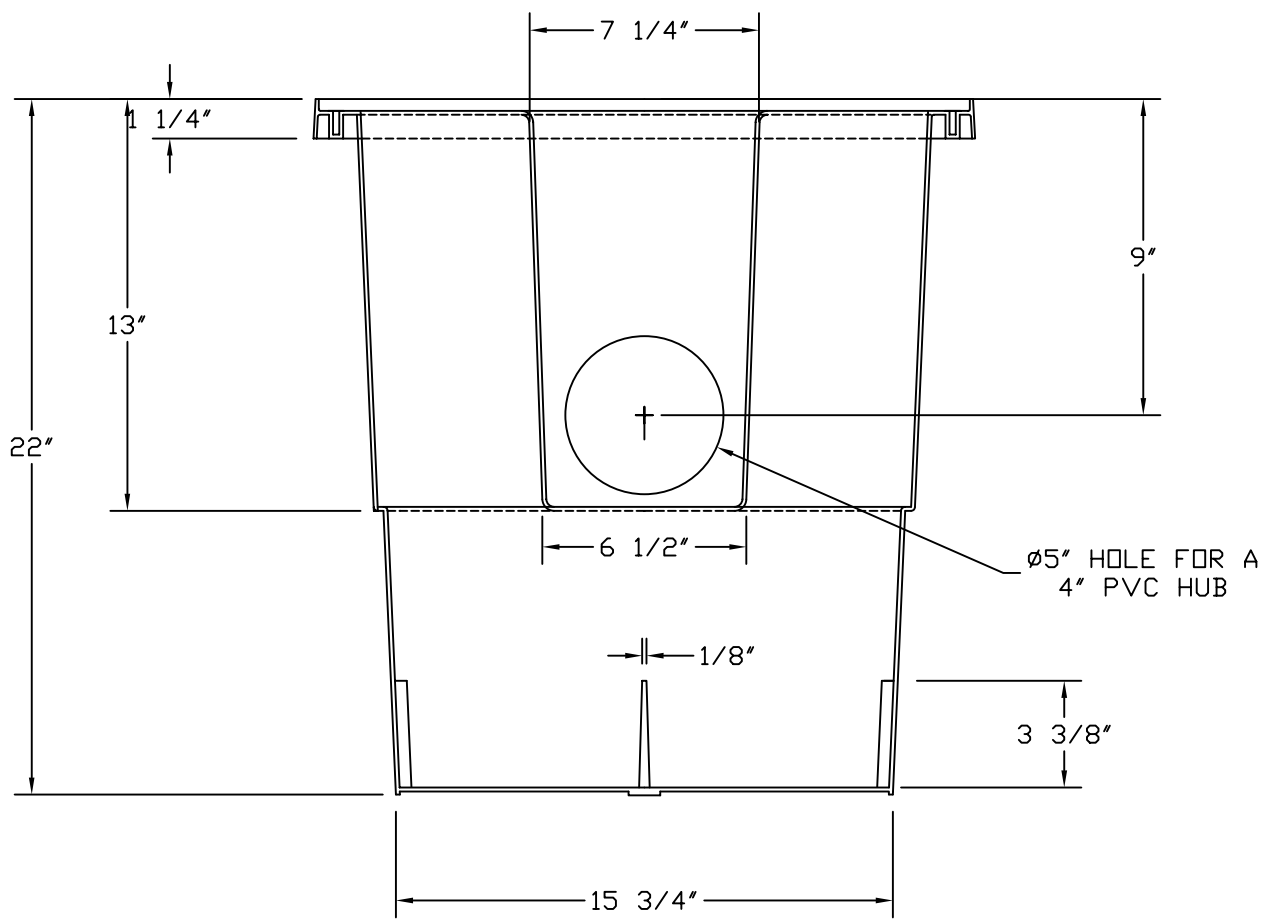
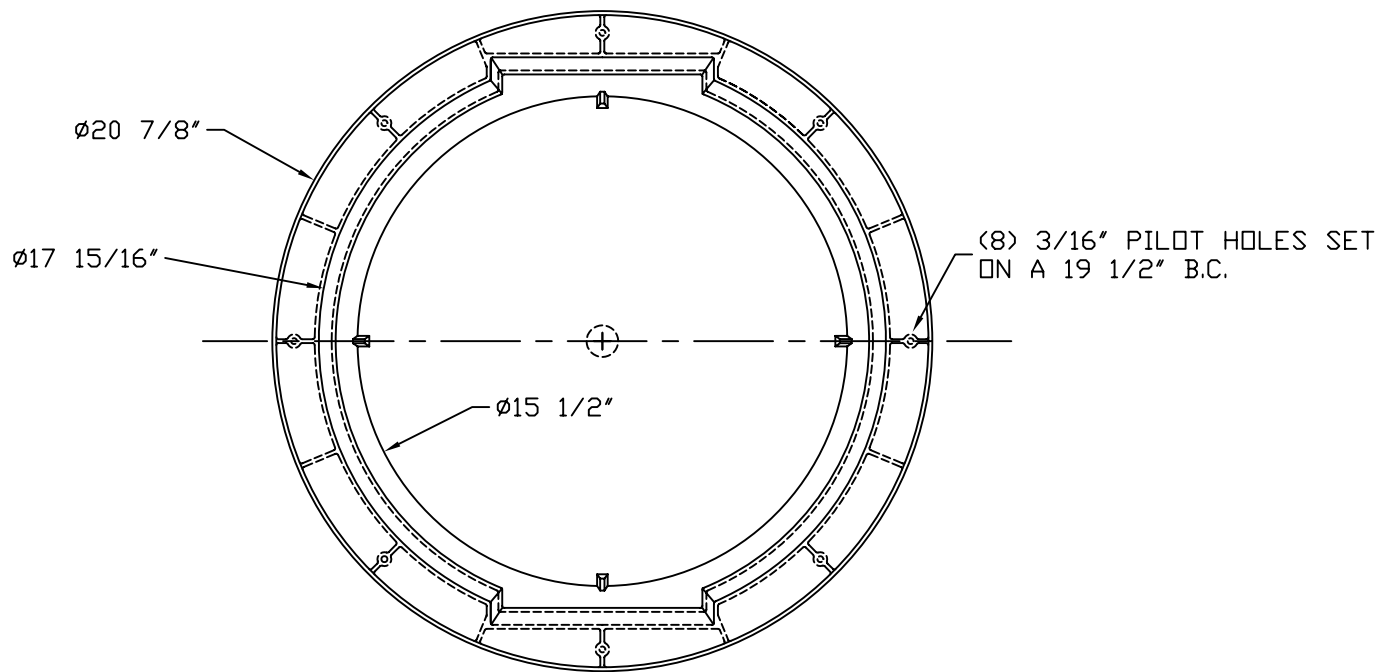
POLYPRO BASIN 18X22 (1) 4" PVC INLET (LOOSE)

NOT TO SCALE

001

8/29/03

THIS DRAWING IS THE SOLE PROPERTY OF AK INDUSTRIES INC.



**B.O.M**

**AKR50005 PRO 18X22**

**AKP10185 4" PVC HUB ASSEMBLY**



AK INDUSTRIES INC.  
2055 PIDCO DR.  
PLYMOUTH, IN. 46563  
PHONE:(574) 936-6022

DRAWN BY:  
M.Olivarez

TOLERANCE:  
 $\pm 0.0312$  UNLESS SPECIFIED OTHERWISE

SIGNATURE: