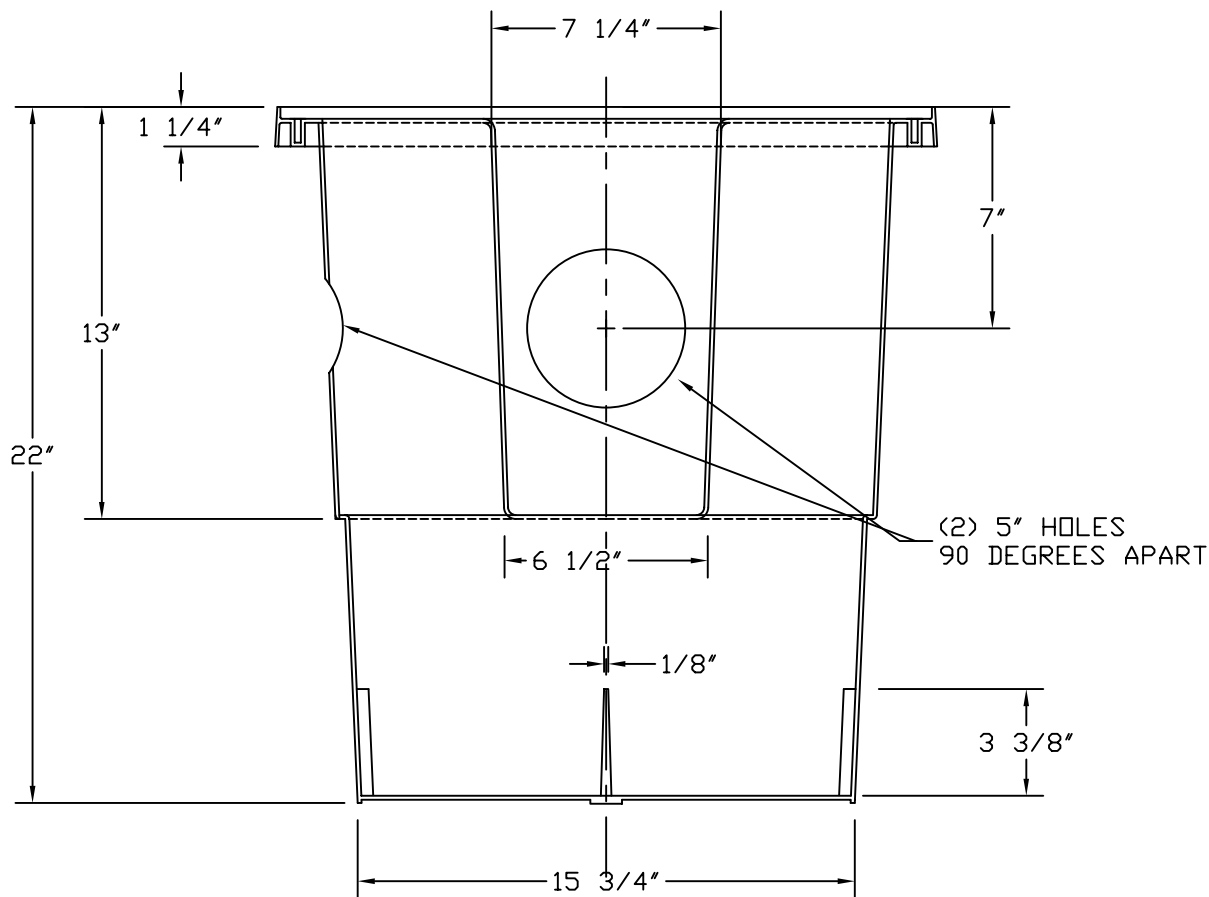
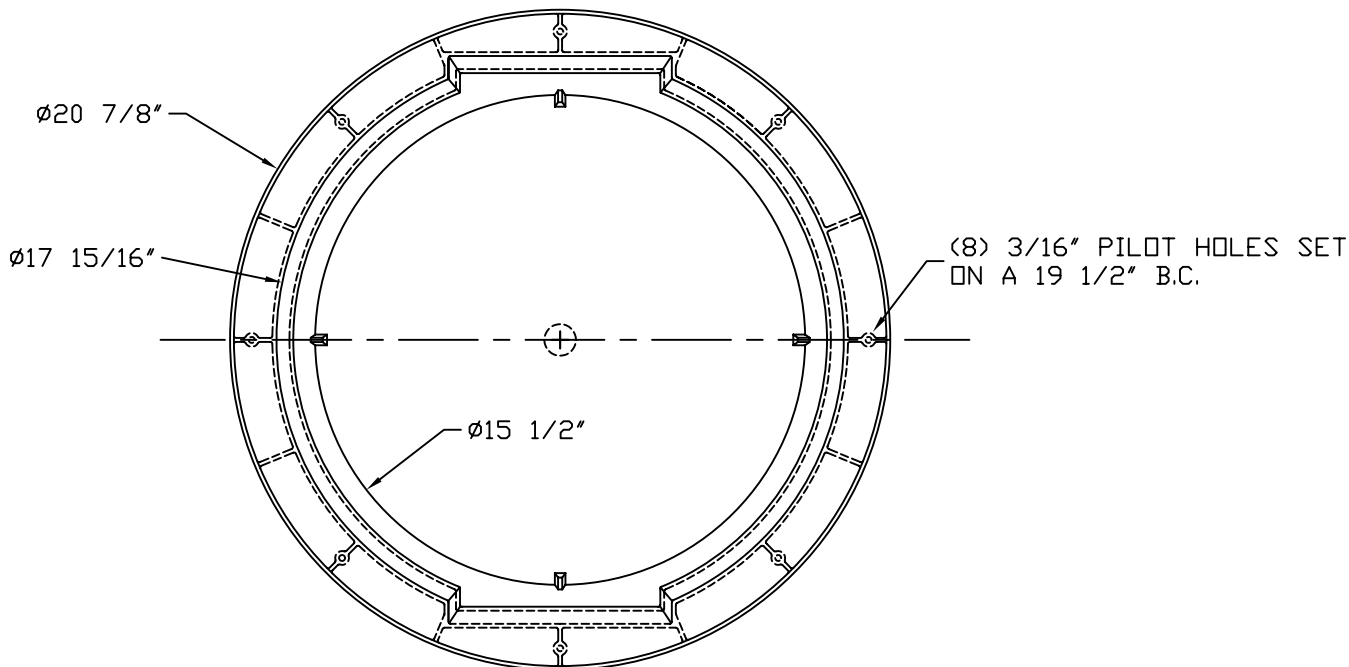


PART/PRINT #:	PART DESCRIPTION:	SCALE:	REVISION:	DATE:
AKP35050	POLYPRO BASIN 18X22 (2) 5" HOLES (7" DOWN)	NOT TO SCALE	001	8/29/03

THIS DRAWING IS THE SOLE PROPERTY OF AK INDUSTRIES INC.



B.O.M
AKR50005 PRO 18X22



AK INDUSTRIES INC.
 2055 PIDCO DR.
 PLYMOUTH, IN. 46563
 PHONE: (574) 936-6022

DRAWN BY:
 M. OLIVAREZ

TOLERANCE:
 ± 0.0312 UNLESS SPECIFIED OTHERWISE

SIGNATURE: